

Valves and solenoid valves - Series EN

Product code: EN751-11-PN3

Datasheet creation date: 20/05/2026 06:50

Check the most updated document online [click here](#)

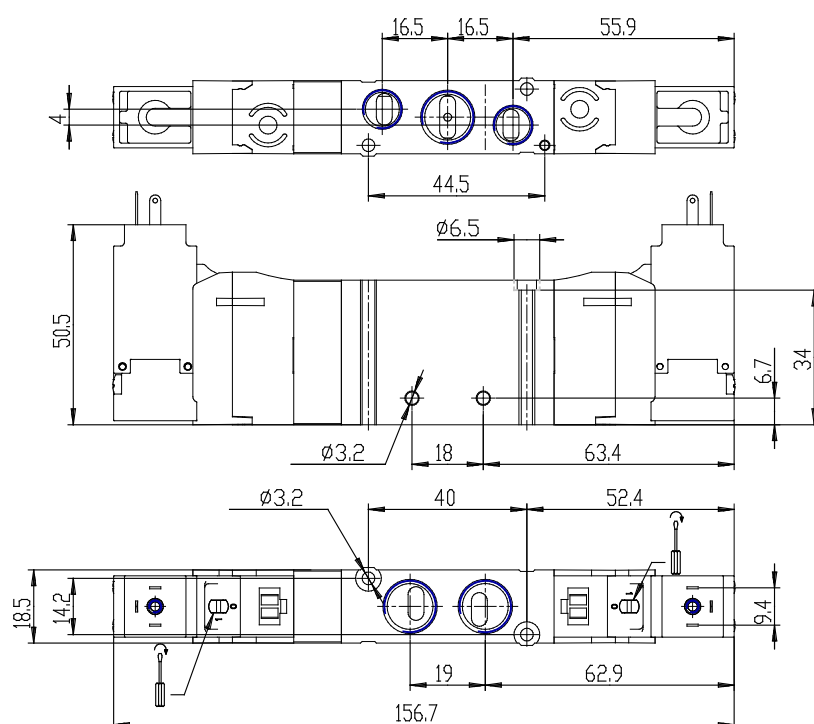


TECHNICAL DATA

Series	EN
Function	7 = 5/3 centre open
Size	5 = size 19
Body type (mm)	1 = body with threaded ports
Operation	11 = electro-pneumatic, bistable
Type of solenoid	PN3 = 24V DC - 1W

Valves and solenoid valves - Series EN

Product code: EN751-11-PN3



DIMENSIONS

Series	EN
Function	7 = 5/3 centre open
Size	5 = size 19
Body type (mm)	1 = body with threaded ports
Operation	11 = electro-pneumatic, bistable
Type of solenoid	PN3 = 24V DC - 1W