

Centre trunnion - Mod. F

Product code: F-32

Datasheet creation date: 07/03/2025 16:02

Check the most updated document online [click here](#)

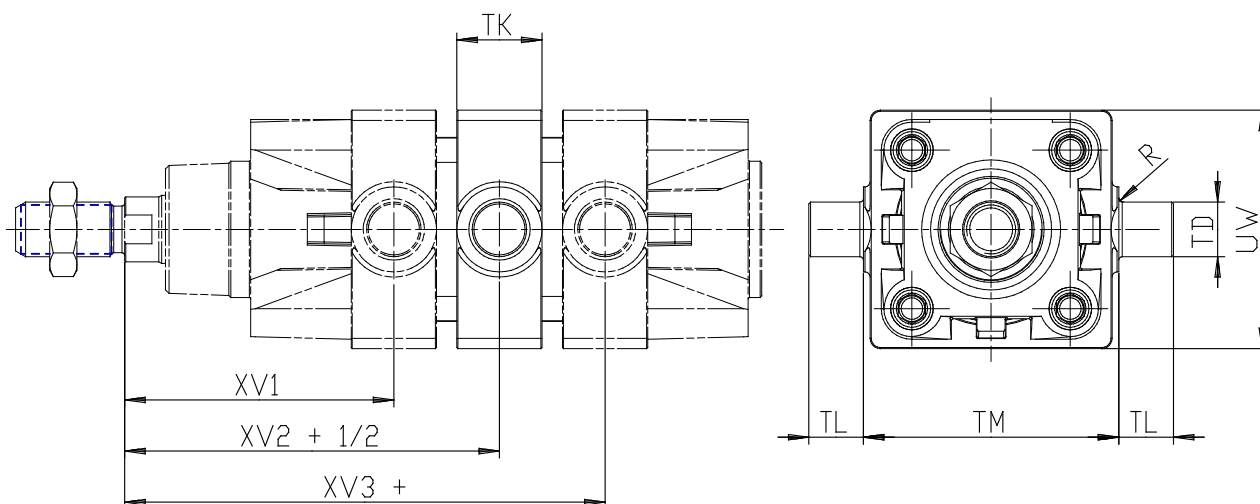


TECHNICAL DATA

Mod.	F-32
------	------

Centre trunnion - Mod. F

Product code: F-32



DIMENSIONS

XV1 (mm)	62.0
XV2 (mm)	73.0
XV3 (mm)	84.0
TM (mm)	50
TK (mm)	20
TD (mm)	12
TL (mm)	12
UW (mm)	50
R (mm)	0.50