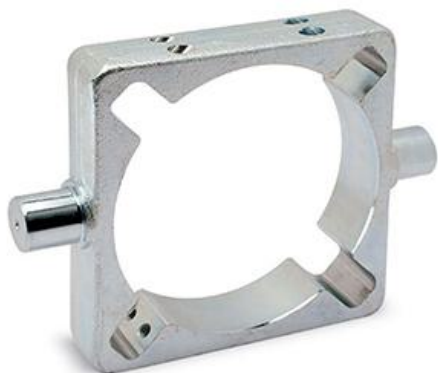


Centre trunnion - Mod. F-41

Product code: F-41-200

Datasheet creation date: 07/03/2025 15:58

Check the most updated document online [click here](#)

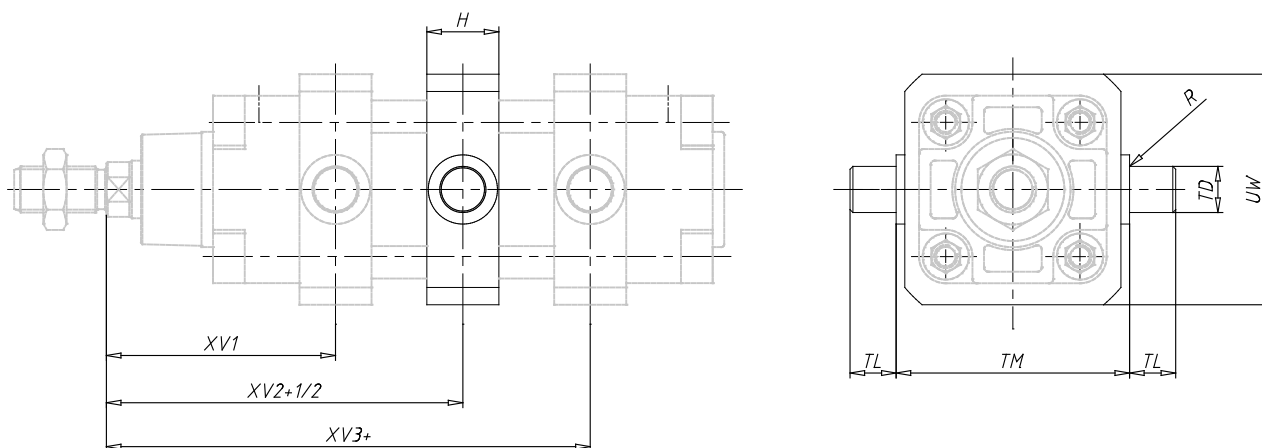


■ TECHNICAL DATA

Mod.	F-41-200
------	----------

Centre trunnion - Mod. F-41

Product code: F-41-200



DIMENSIONS

XV1 (mm)	160
XV2 (mm)	185
XV3 (mm)	210
TM (mm)	250
TK (mm)	40
TD (mm)	32
TL (mm)	32
UW (mm)	240
R (mm)	0.2