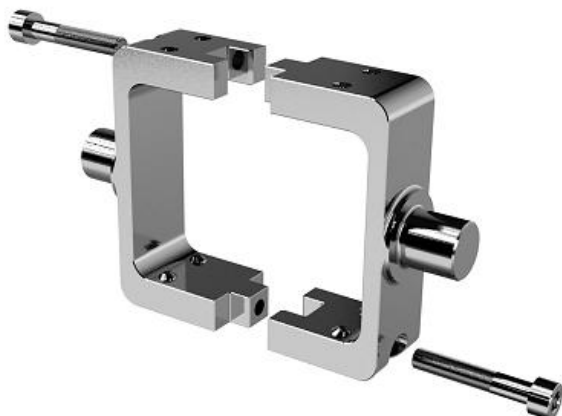


Centre trunnion Mod. F for profile cylinders - Mod. F-63

Product code: F-63-100

Datasheet creation date: 07/03/2025 16:04

Check the most updated document online [click here](#)

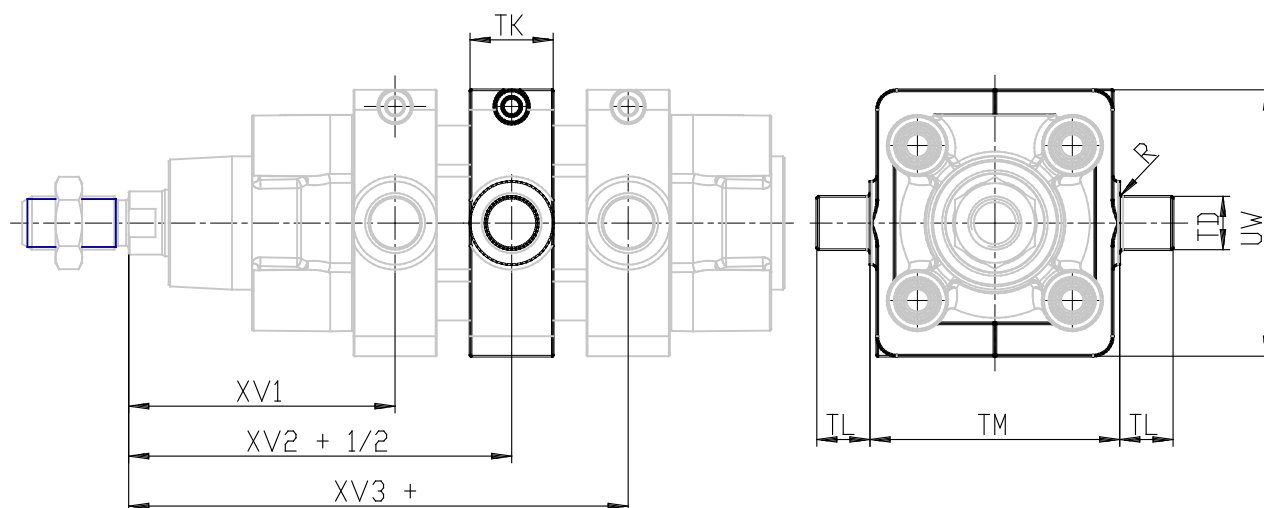


TECHNICAL DATA

Mod.	F-63-100
------	----------

Centre trunnion Mod. F for profile cylinders - Mod. F-63

Product code: F-63-100



DIMENSIONS

XV1 (mm)	105.5
XV2 (mm)	120.0
XV3 (mm)	134.5
TM (mm)	132
TK (mm)	30
Ø TD (mm)	25
TL (mm)	25
UW (mm)	135
R (mm)	1.5