

Manipulation accessory kit - CSSP Series

Product code: F-CSSP-40

Datasheet creation date: 07/03/2025 16:09

Check the most updated document online [click here](#)

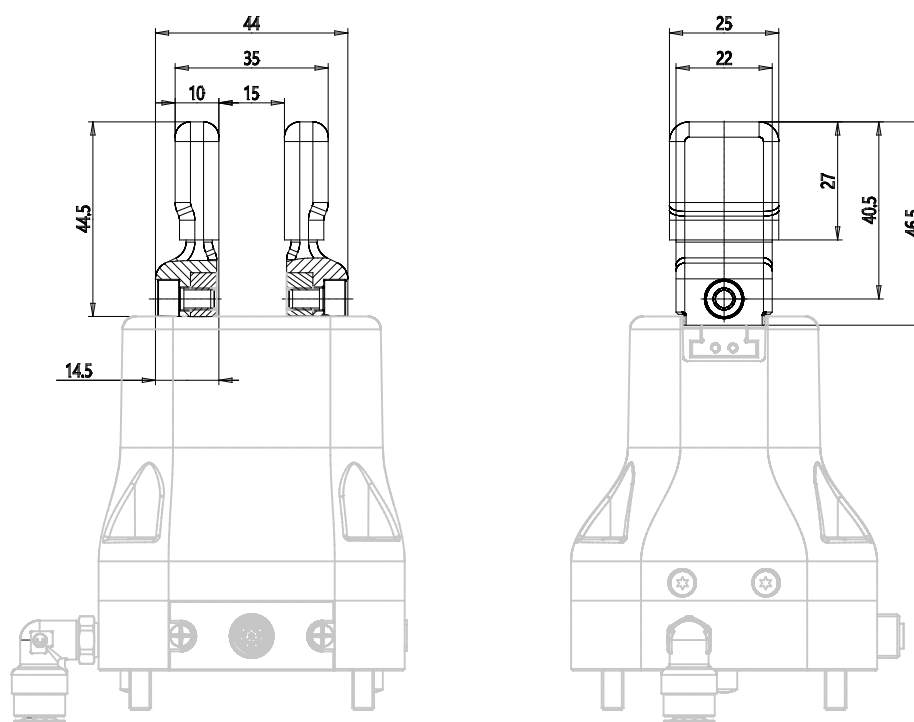


TECHNICAL DATA

Mod.	F-CSSP-40
------	-----------

Manipulation accessory kit - CSSP Series

Product code: F-CSSP-40



DIMENSIONS

Mod.	F-CSSP-40
------	-----------