

## Front/rear spot faced trunnion Mod. FN - Mod. FN

Product code: FN-125

Datasheet creation date: 07/03/2025 16:05

Check the most updated document online [click here](#)

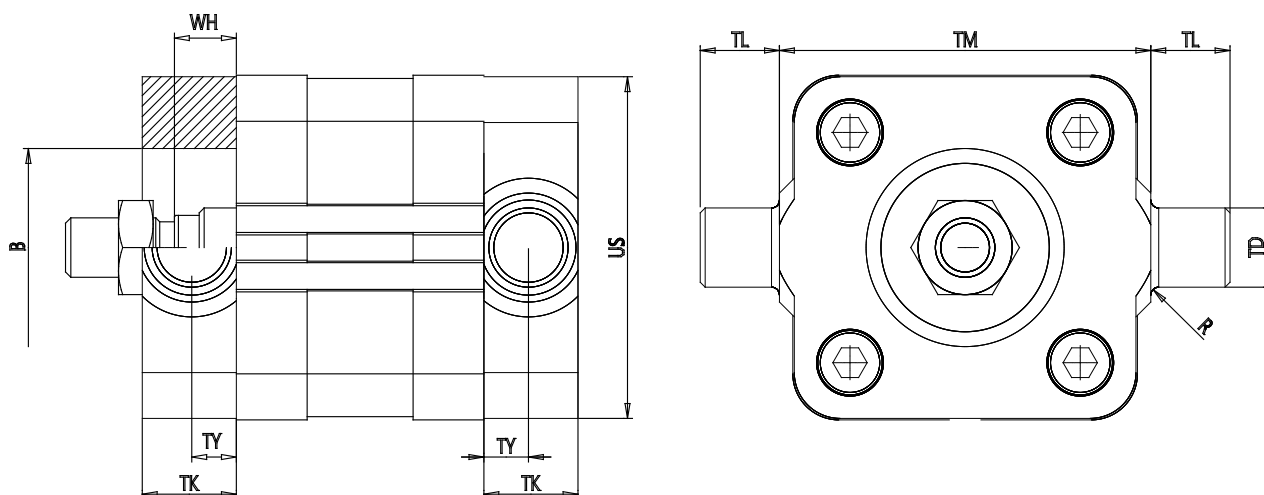


### TECHNICAL DATA

Series	32
Mod.	FN-125
Diameter (mm)	Ø125

## Front/rear spot faced trunnion Mod. FN - Mod. FN

Product code: FN-125



### DIMENSIONS

TK (TK / mm)	30
TY (TY / mm)	15.0
WH (WH / mm)	11.0
B (B / mm)	60
XH (XH / mm)	50.0
XL (XL / mm)	240.0
US (US / mm)	150
TL (TL / mm)	25
TM (TM / mm)	160
TD (TD / mm)	25
R (R / mm)	2.0