

Front spot faced trunnion - Mod. FN

Product code: FN-3E-32

Datasheet creation date: 07/03/2025 15:38

Check the most updated document online [click here](#)

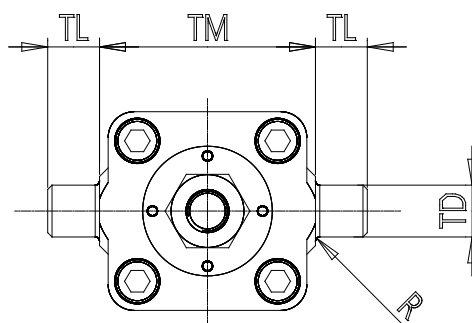
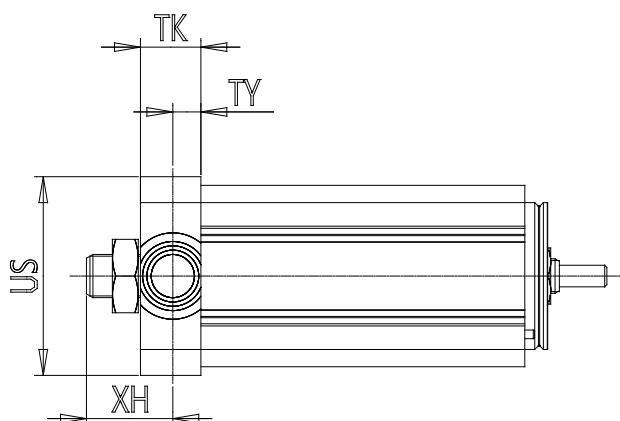


TECHNICAL DATA

Mod.	FN-3E-32
------	----------

Front spot faced trunnion - Mod. FN

Product code: FN-3E-32



DIMENSIONS

TK (mm)	14
TY (mm)	6.5
XH (mm)	20
XL (mm)	126.5
US (mm)	46
TL (mm)	12
TM (mm)	50
TD (mm)	12
R (mm)	1