

## Front/rear spot faced trunnion Mod. FN - Mod. FN

Product code: FN-50 (6E)

Datasheet creation date: 07/03/2025 16:05

Check the most updated document online [click here](#)

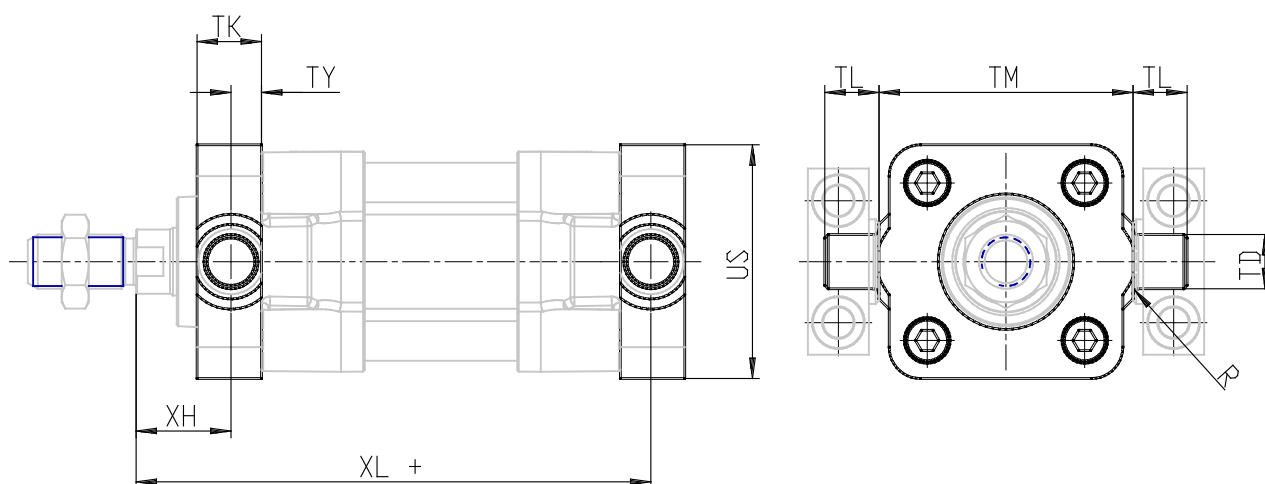


### TECHNICAL DATA

Mod.	FN-50
------	-------

## Front/rear spot faced trunnion Mod. FN - Mod. FN

Product code: FN-50 (6E)



### **DIMENSIONS**

<b>TK (mm)</b>	19
<b>TY (mm)</b>	9.0
<b>XH (mm)</b>	28.0
<b>XL (mm)</b>	152.0
<b>US (mm)</b>	69
<b>TL (mm)</b>	16
<b>TM (mm)</b>	75
<b>TD (mm)</b>	16
<b>R (mm)</b>	1.6