

Front/rear spot faced trunnion Mod. FN - Mod. FN

Product code: FN-63 (6E)

Datasheet creation date: 07/03/2025 16:05

Check the most updated document online [click here](#)

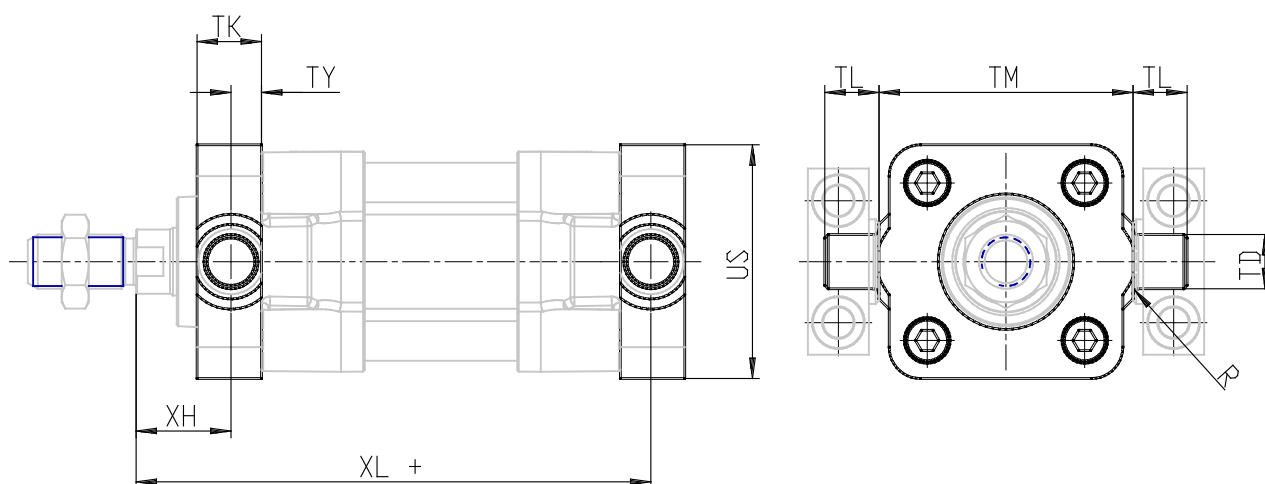


TECHNICAL DATA

Mod.	FN-63
------	-------

Front/rear spot faced trunnion Mod. FN - Mod. FN

Product code: FN-63 (6E)



DIMENSIONS

TK (mm)	24
TY (mm)	11.5
XH (mm)	25.5
XL (mm)	169.5
US (mm)	84
TL (mm)	20
TM (mm)	90
TD (mm)	20
R (mm)	1.6