

Front/rear spot faced trunnion Mod. FN - Mod. FN

Product code: FN-6E-100 (6E)

Datasheet creation date: 07/03/2025 15:48

Check the most updated document online [click here](#)

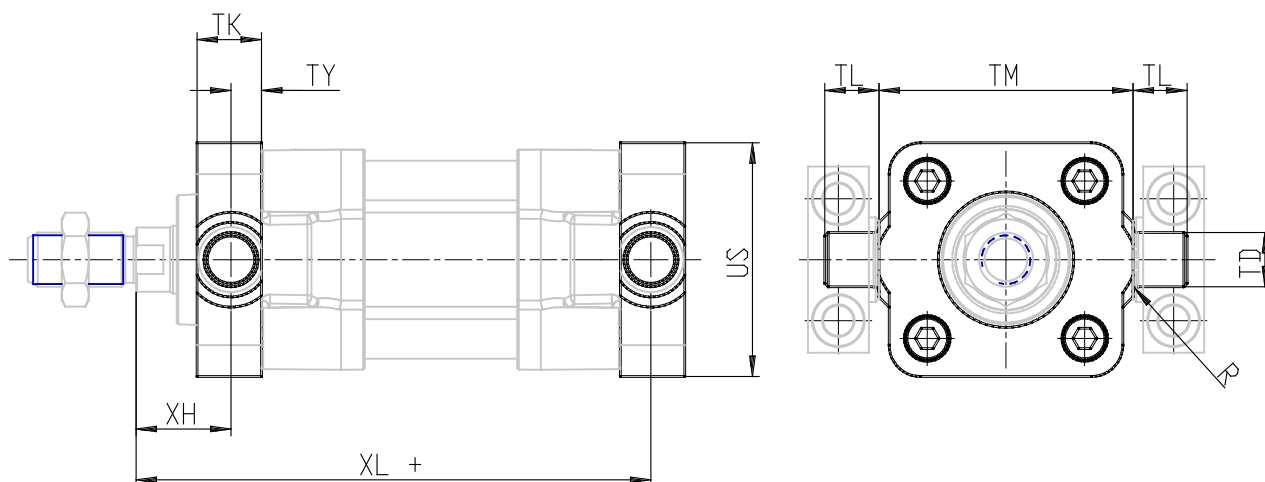


TECHNICAL DATA

Mod.	FN-6E-100
------	-----------

Front/rear spot faced trunnion Mod. FN - Mod. FN

Product code: FN-6E-100 (6E)



DIMENSIONS

TK (mm)	29
TY (mm)	14.0
XH (mm)	37.0
XL (mm)	203.0
US (mm)	125
TL (mm)	25
TM (mm)	132
TD (mm)	25
R (mm)	2.0