

Front/rear spot faced trunnion Mod. FN - Mod. FN

Product code: FN-6E-80

Datasheet creation date: 07/03/2025 15:48

Check the most updated document online [click here](#)

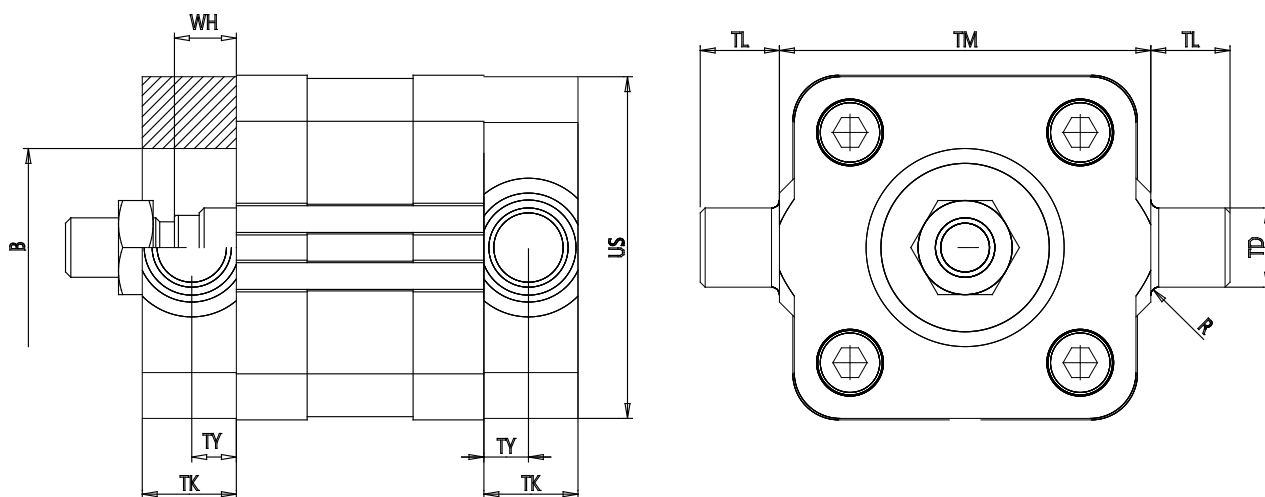


TECHNICAL DATA

Mod.	FN-6E-80
------	----------

Front/rear spot faced trunnion Mod. FN - Mod. FN

Product code: FN-6E-80



DIMENSIONS

TK (mm)	24
TY (mm)	11.5
WH (mm)	9.5
B (mm)	45
XH (mm)	34.5
XL (mm)	185.5
US (mm)	102
TL (mm)	20
TM (mm)	110
TD (mm)	20
R (mm)	1.6