

Front/rear spot faced trunnion Mod. FN - Mod. FN

Product code: FN-80

Datasheet creation date: 07/03/2025 16:05

Check the most updated document online [click here](#)

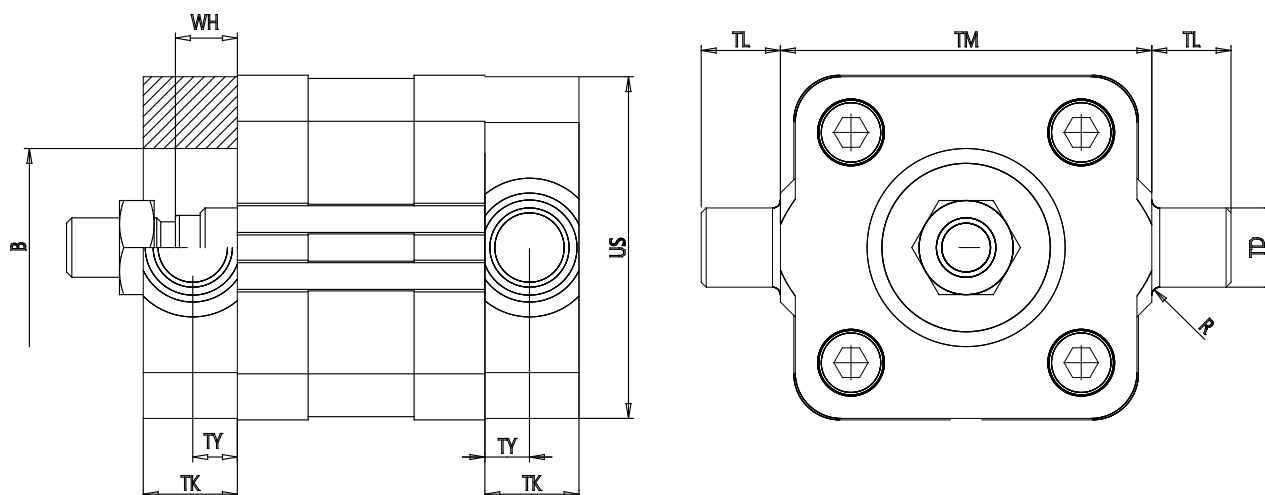


TECHNICAL DATA

Series	32
Mod.	FN-80
Diameter (mm)	Ø80

Front/rear spot faced trunnion Mod. FN - Mod. FN

Product code: FN-80



DIMENSIONS

TK (TK / mm)	24
TY (TY / mm)	11.5
WH (WH / mm)	9.5
B (B / mm)	45
XH (XH / mm)	34.5
XL (XL / mm)	185.5
US (US / mm)	102
TL (TL / mm)	20
TM (TM / mm)	110
TD (TD / mm)	20
R (R / mm)	1.6