

Kit to connect the gearbox - enhanced series - Mod. FRH

Product code: FRH-5E-65

Datasheet creation date: 07/03/2025 15:39

Check the most updated document online [click here](#)

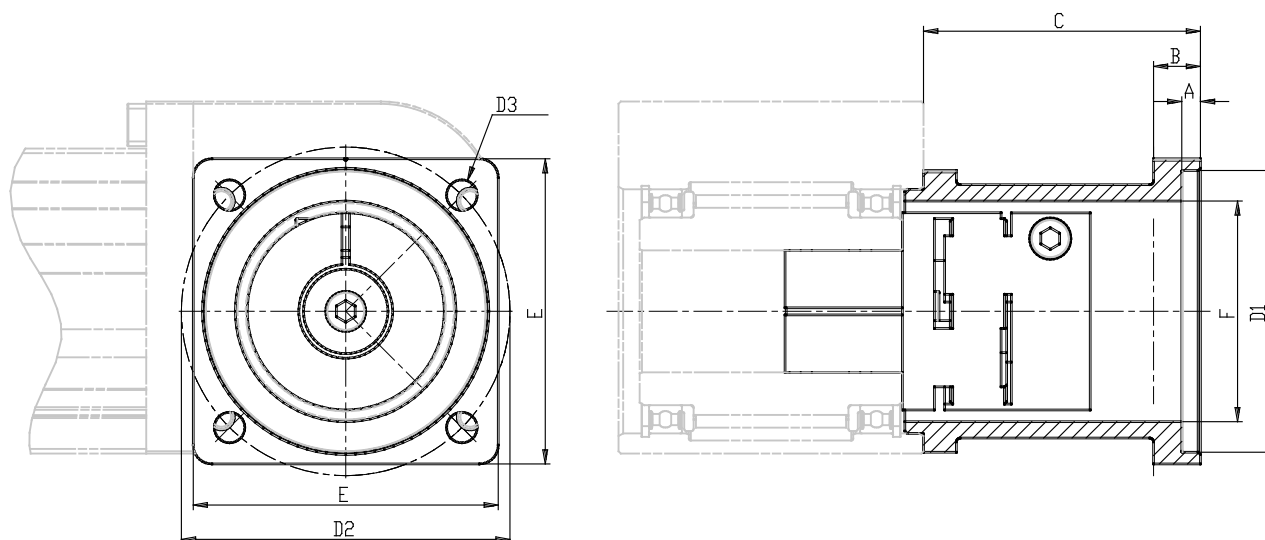


■ TECHNICAL DATA

Mod.	FRH-5E-65
Size (mm)	65

Kit to connect the gearbox - enhanced series - Mod. FRH

Product code: FRH-5E-65



DIMENSIONS

D1 (mm)	20
A (mm)	4
BCD (mm)	70
D2 (mm)	60
D3 (mm)	6.5
B (mm)	10
C (mm)	59
E (mm)	65
F (mm)	47
P	530