

Panel adapter - Series FS-FSP

Product code: FS-PA-H

Datasheet creation date: 07/03/2025 14:30

Check the most updated document online [click here](#)

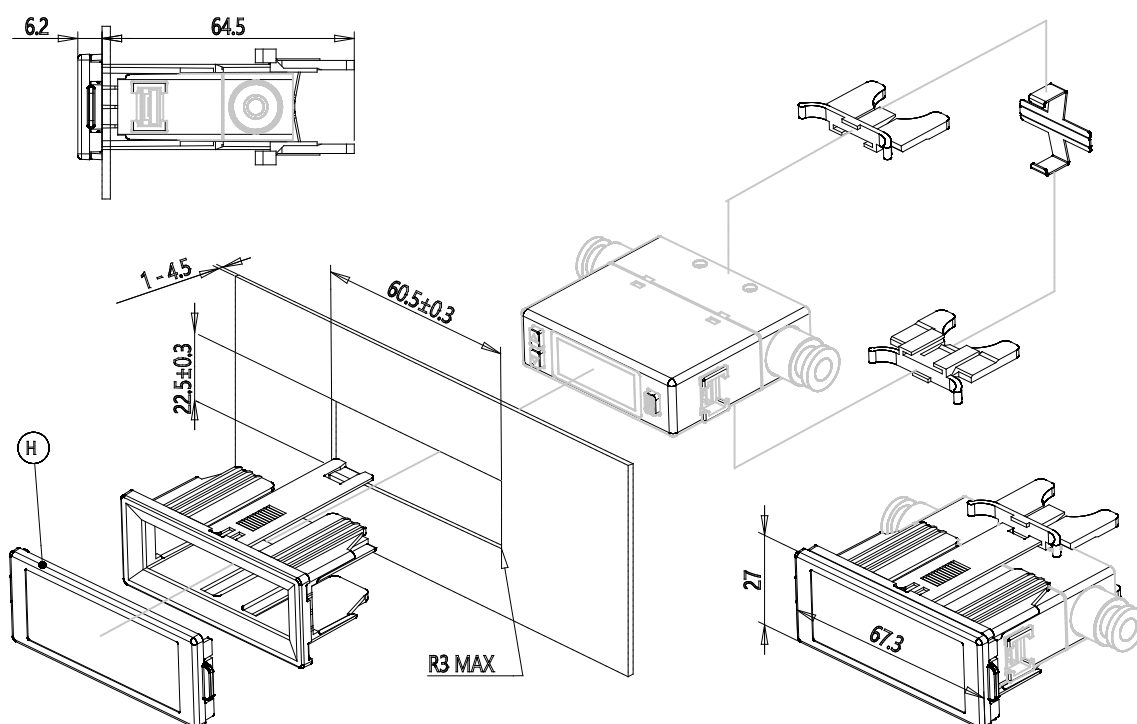


TECHNICAL DATA

Mod.	FS-PA-H
------	---------

Panel adapter - Series FS-FSP

Product code: FS-PA-H



DIMENSIONS

Mod.	FS-PA-H
------	---------