

## Flow sensors - Series FS-FSP

Product code: FS02-501-030-F9C

Datasheet creation date: 20/05/2026 04:00

Check the most updated document online [click here](#)

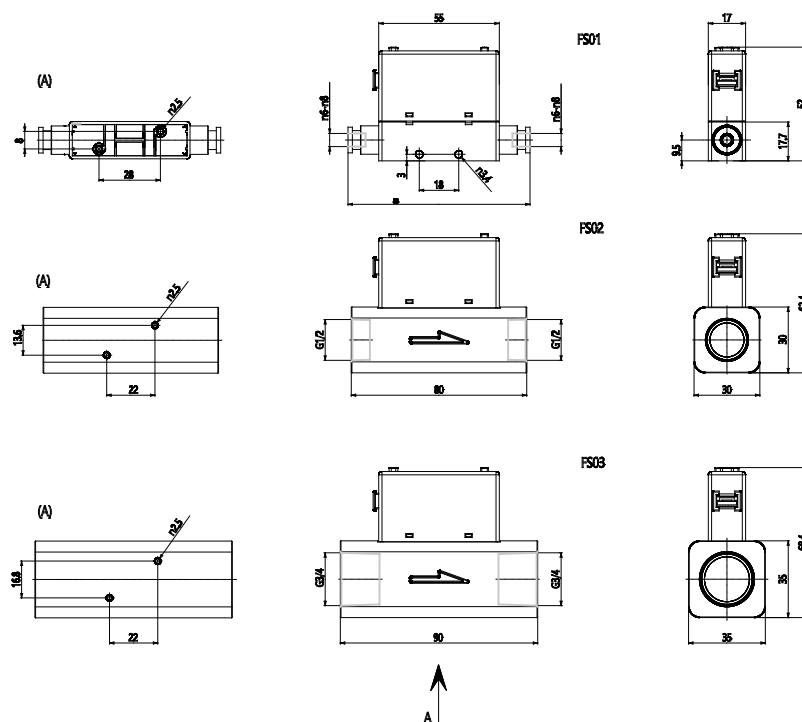


### TECHNICAL DATA

<b>Series</b>	FS = Flow sensor
<b>Size</b>	02 = 30 mm
<b>Flow rate</b>	501 = 500 L/min
<b>Output specifications</b>	030 = 2 PNP output + Analog output 1 - 5 V
<b>PORTS (IN - OUT)</b>	F9C = G1/2

## Flow sensors - Series FS-FSP

Product code: FS02-501-030-F9C



### DIMENSIONS

<b>Series</b>	FS = Flow sensor
<b>Size</b>	02 = 30 mm
<b>Flow rate</b>	501 = 500 L/min
<b>Output specifications</b>	030 = 2 PNP output + Analog output 1 - 5 V
<b>PORTS (IN - OUT)</b>	F9C = G1/2