

## Flow sensors - Series FS-FSP

Product code: FS03-202-031-F12C

Datasheet creation date: 10/03/2025 10:46

Check the most updated document online [click here](#)

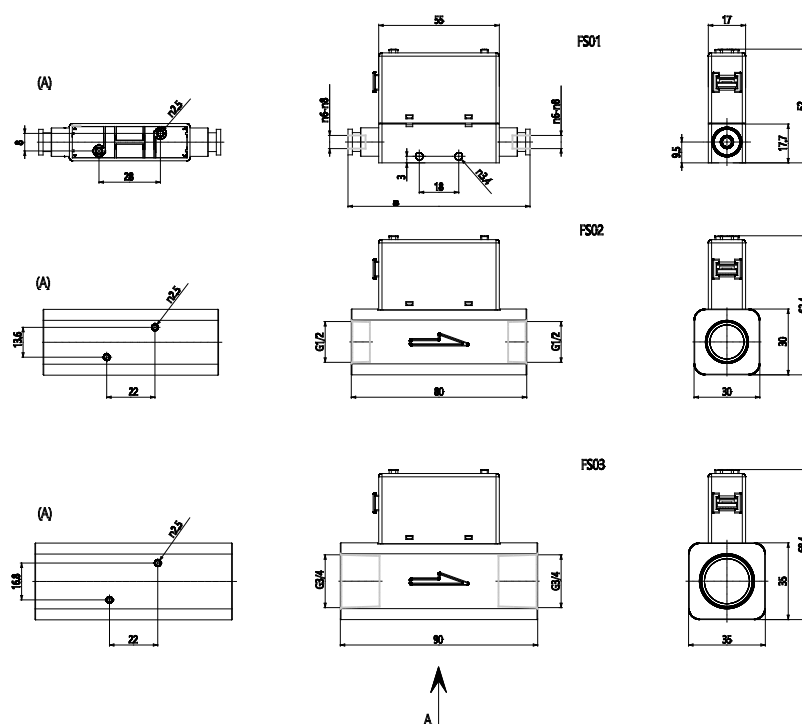


### TECHNICAL DATA

<b>Series</b>	FS = Flow sensor
<b>Size</b>	03 = 35 mm
<b>Flow rate</b>	202 = 2000 L/min
<b>Output specifications</b>	031 = 2 PNP output + Analog output 4 - 20 mA
<b>PORTS (IN - OUT)</b>	F12C = G3/4

## Flow sensors - Series FS-FSP

Product code: FS03-202-031-F12C



### DIMENSIONS

<b>Series</b>	FS = Flow sensor
<b>Size</b>	03 = 35 mm
<b>Flow rate</b>	202 = 2000 L/min
<b>Output specifications</b>	031 = 2 PNP output + Analog output 4 - 20 mA
<b>PORTS (IN - OUT)</b>	F12C = G3/4