

Flow sensors - Series FS-FSP

Product code: FSP03-202-030-F12C

Datasheet creation date: 10/03/2025 10:46

Check the most updated document online [click here](#)

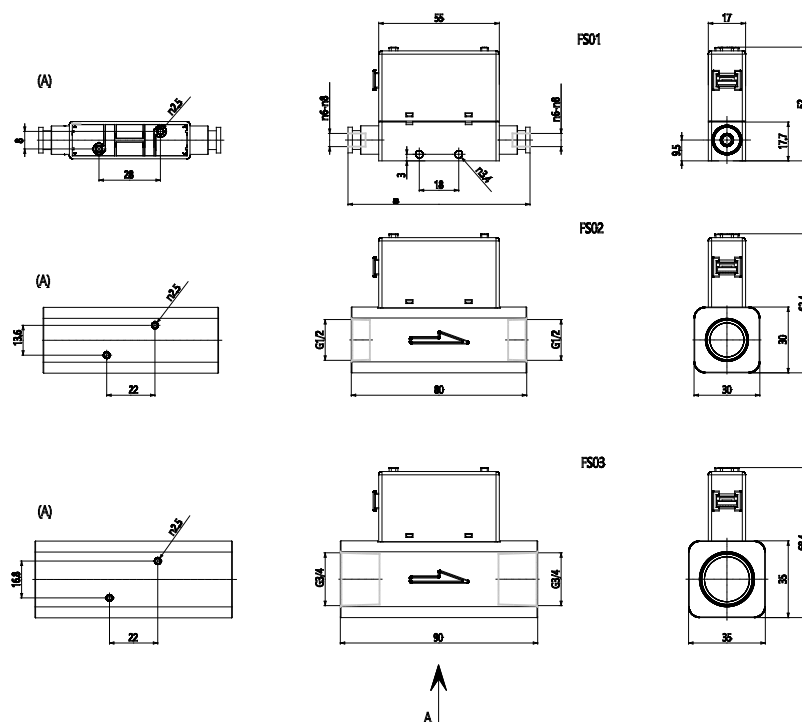


TECHNICAL DATA

Series	FSP = Flow sensor + Pressure sensor
Size	03 = 35 mm
Flow rate	202 = 2000 L/min
Output specifications	030 = 2 PNP output + Analog output 1 - 5 V
PORTS (IN - OUT)	F12C = G3/4

Flow sensors - Series FS-FSP

Product code: FSP03-202-030-F12C



DIMENSIONS

Series	FSP = Flow sensor + Pressure sensor
Size	03 = 35 mm
Flow rate	202 = 2000 L/min
Output specifications	030 = 2 PNP output + Analog output 1 - 5 V
PORTS (IN - OUT)	F12C = G3/4