

Flow sensor - Series FSX

Product code: FSX-212Y-E020-EPTU0-0R00

Datasheet creation date: 20/05/2026 08:38

Check the most updated document online [click here](#)

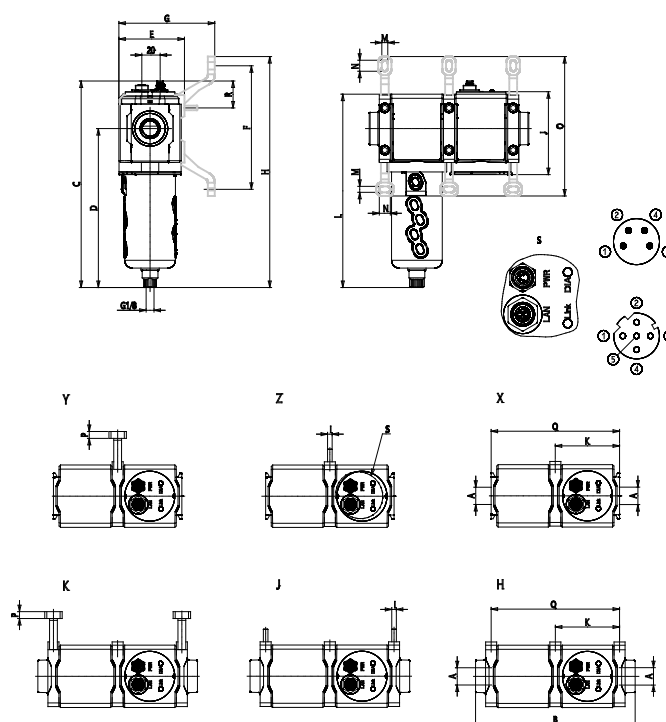


TECHNICAL DATA

| | |
|-------------------------------|--|
| Series | FSX |
| Size | 2 |
| Ports (IN - OUT) | 12 = G1/2 (native) |
| Bracket | Y = central clamp type Y with wall-mounting flange |
| Display | E = without display |
| Flow rate range | 020 = 2.000 l/min (ANR) |
| Output specifications | E = Ethernet I/P |
| Sensor reading | PTU = Pressure, temperature, humidity sensor |
| Closed loop flow | 0 = Without proportional flow valve |
| Draining of condensate | 0 = semiautomatico-manuale |
| Flow direction | R = left to right (standard) |
| Certifications | 00 = none |

Flow sensor - Series FSX

Product code: FSX-212Y-E020-EPTU0-0R00



DIMENSIONS

| | |
|---------------|-------|
| A | G1/2 |
| B (mm) | 140 |
| C (mm) | 226 |
| D (mm) | 174 |
| E (mm) | 72 |
| F (mm) | 135.0 |
| G (mm) | 0 |
| H (mm) | 252 |
| I | M5 |
| J (mm) | 91 |
| K (mm) | 70 |
| L (mm) | 211 |
| M (mm) | 6.5 |
| N (mm) | 12 |
| O (mm) | 152 |
| P (mm) | 7.5 |
| Q (mm) | 140 |
| R (mm) | 18 |