

Flow sensor - Series FSX

Product code: FSX-310Y-E100-EPT00-0R00

Datasheet creation date: 20/05/2026 08:37

Check the most updated document online [click here](#)

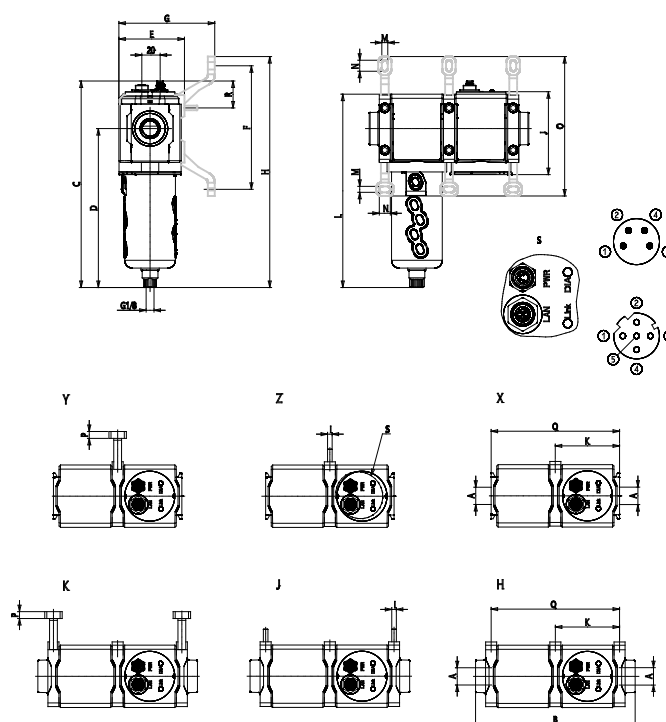


TECHNICAL DATA

Series	FSX
Size	3
Ports (IN - OUT)	10 = G1 (native)
Bracket	Y = central clamp type Y with wall-mounting flange
Display	E = without display
Flow rate range	100 = 10.000 l/min (ANR)
Output specifications	E = Ethernet I/P
Sensor reading	PT0 = Pressure and temperature sensor
Closed loop flow	0 = Without proportional flow valve
Draining of condensate	0 = semiautomatico-manuale
Flow direction	R = left to right (standard)
Certifications	00 = none

Flow sensor - Series FSX

Product code: FSX-310Y-E100-EPT00-0R00



DIMENSIONS

A	G1/2
B (mm)	180
C (mm)	253
D (mm)	196
E (mm)	78
F (mm)	160.5
G (mm)	0
H (mm)	290
I	M6
J (mm)	103
K (mm)	90
L (mm)	240
M (mm)	8.4
N (mm)	15
O (mm)	181
P (mm)	7.7
Q (mm)	180
R (mm)	19