

## Flow sensor - Series FSX

Product code: FSX-310Y-E100-EPTU0-0R00

Datasheet creation date: 20/05/2026 06:53

Check the most updated document online [click here](#)

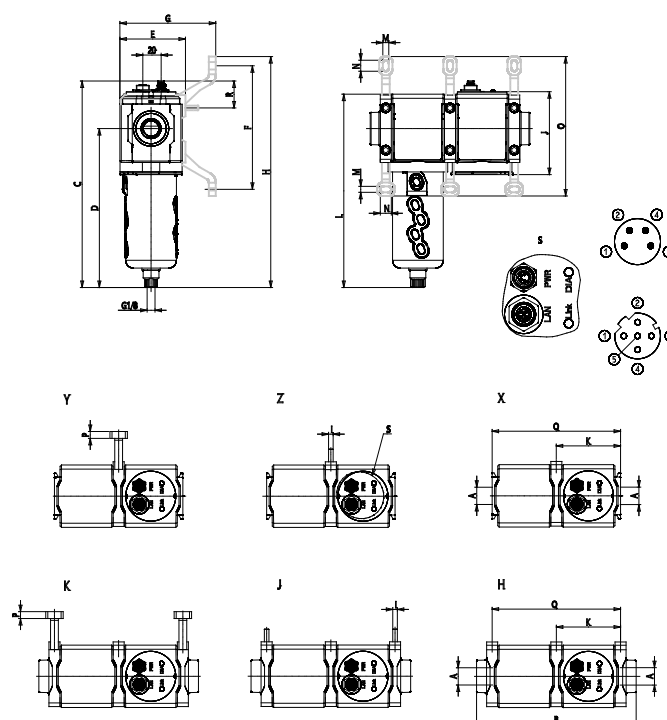


### TECHNICAL DATA

<b>Series</b>	FSX
<b>Size</b>	3
<b>Ports (IN - OUT)</b>	10 = G1 (native)
<b>Bracket</b>	Y = central clamp type Y with wall-mounting flange
<b>Display</b>	E = without display
<b>Flow rate range</b>	100 = 10.000 l/min (ANR)
<b>Output specifications</b>	E = Ethernet I/P
<b>Sensor reading</b>	PTU = Pressure, temperature, humidity sensor
<b>Closed loop flow</b>	0 = Without proportional flow valve
<b>Draining of condensate</b>	0 = semiautomatico-manuale
<b>Flow direction</b>	R = left to right (standard)
<b>Certifications</b>	00 = none

## Flow sensor - Series FSX

Product code: FSX-310Y-E100-EPTU0-0R00



### DIMENSIONS

<b>A</b>	G1/2
<b>B (mm)</b>	180
<b>C (mm)</b>	253
<b>D (mm)</b>	196
<b>E (mm)</b>	78
<b>F (mm)</b>	160.5
<b>G (mm)</b>	0
<b>H (mm)</b>	290
<b>I</b>	M6
<b>J (mm)</b>	103
<b>K (mm)</b>	90
<b>L (mm)</b>	240
<b>M (mm)</b>	8.4
<b>N (mm)</b>	15
<b>O (mm)</b>	181
<b>P (mm)</b>	7.7
<b>Q (mm)</b>	180
<b>R (mm)</b>	19