

Rod Fork - Mod. G

Product code: G-12-16

Datasheet creation date: 07/03/2025 15:55

Check the most updated document online [click here](#)

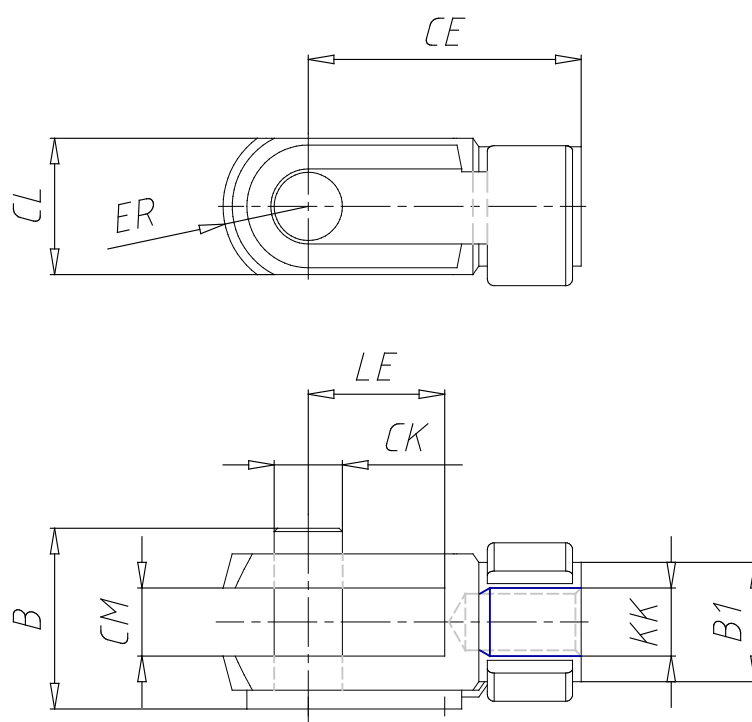


TECHNICAL DATA

Mod.	G-12-16
------	---------

Rod Fork - Mod. G

Product code: G-12-16



DIMENSIONS

B (mm)	16
Ø B1 (mm)	10
Ø CK (mm)	6
LE (mm)	12
CM (mm)	6
CL (mm)	12
ER (mm)	7
CE (mm)	24
KK	M6x1