

Rod Fork - Mod. G

Product code: G-160-200

Datasheet creation date: 07/03/2025 15:58

Check the most updated document online [click here](#)

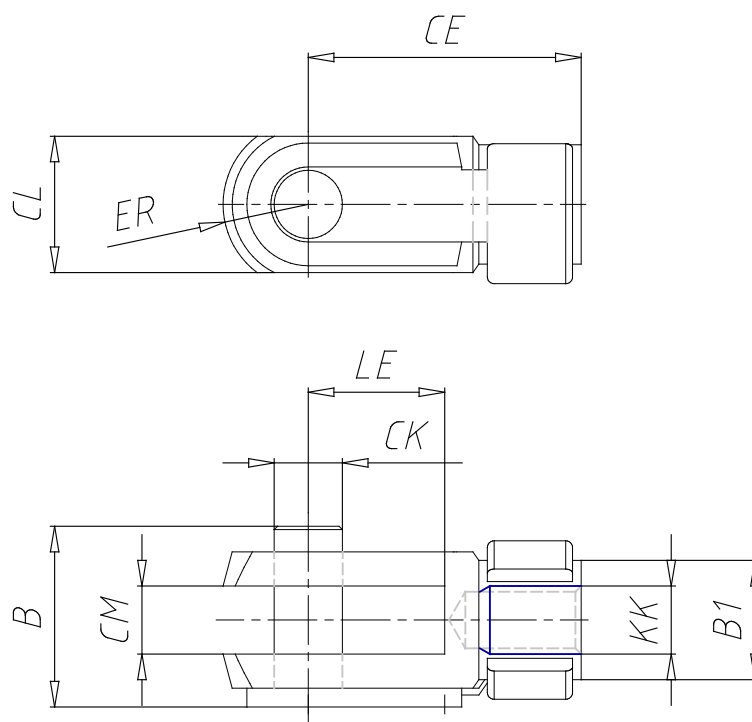


TECHNICAL DATA

Mod.	G-160-200
------	-----------

Rod Fork - Mod. G

Product code: G-160-200



DIMENSIONS

Ø CK (mm)	35
LE (mm)	72
CM (mm)	35
CL (mm)	70
ER (mm)	44
CE (mm)	144
KK	M 36x2
B (mm)	92
Ø B1 (mm)	60