

Rod Fork - Mod. G

Product code: G-25-32(16-24-25)

Datasheet creation date: 07/03/2025 15:55

Check the most updated document online [click here](#)

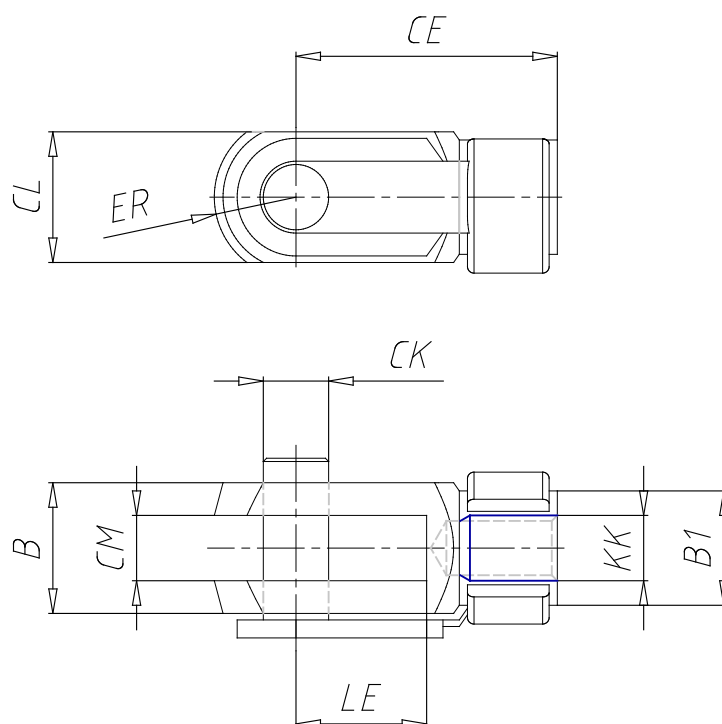


TECHNICAL DATA

Model	G-25-32
-------	---------

Rod Fork - Mod. G

Product code: G-25-32(16-24-25)



DIMENSIONS

CK (mm)	10
LE (mm)	20
CM (mm)	10
CL (mm)	20
ER (mm)	12
CE (mm)	40
KK	M 10x1.25
B (mm)	26
B1 (mm)	18