

## Rod Fork - Mod. G

Product code: G-250

Datasheet creation date: 20/05/2026 06:38

Check the most updated document online [click here](#)

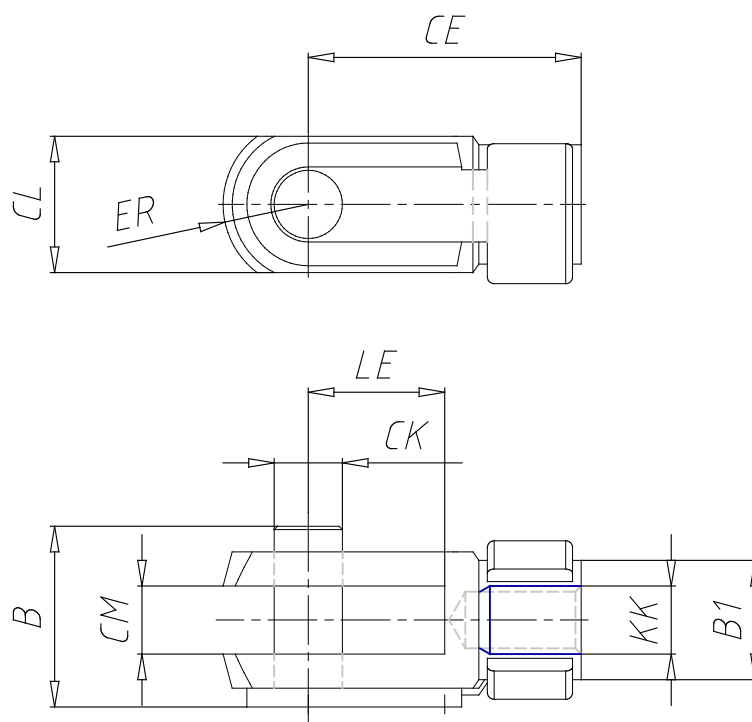


### TECHNICAL DATA

Mod.	G-250
------	-------

## Rod Fork - Mod. G

Product code: G-250



### DIMENSIONS

Ø CK (mm)	40
LE (mm)	84
CM (mm)	40
CL (mm)	85
ER (mm)	50
CE (mm)	168
KK	M42X2
B (mm)	96
Ø B1 (mm)	60