

Rod Fork - Mod. G

Product code: G-320

Datasheet creation date: 07/03/2025 15:58

Check the most updated document online [click here](#)

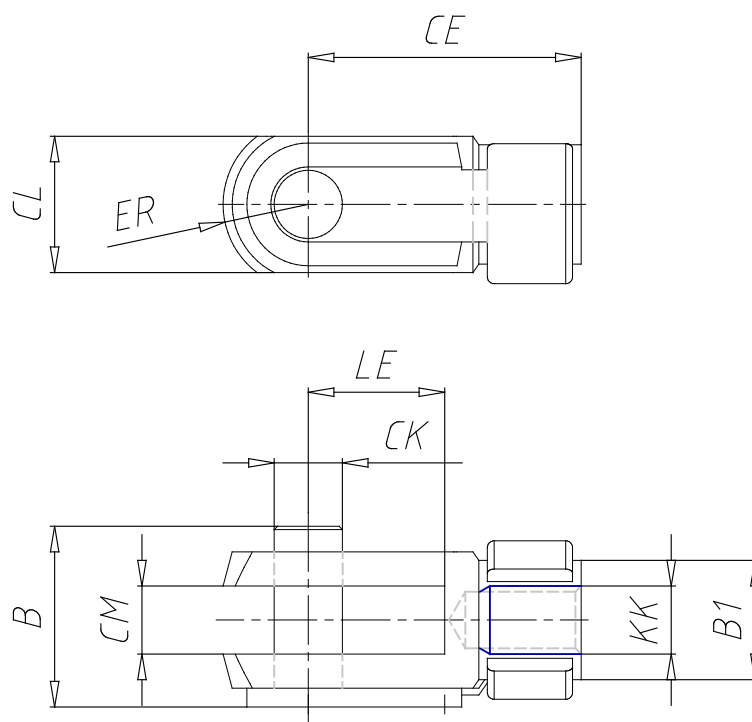


TECHNICAL DATA

Mod.	G-320
------	-------

Rod Fork - Mod. G

Product code: G-320



DIMENSIONS

Ø CK (mm)	50
LE (mm)	90
CM (mm)	50
CL (mm)	90
ER (mm)	73
CE (mm)	192
KK	M48X2
B (mm)	120
Ø B1 (mm)	80