

Rod Fork - Mod. G

Product code: G-41-125

Datasheet creation date: 07/03/2025 16:02

Check the most updated document online [click here](#)

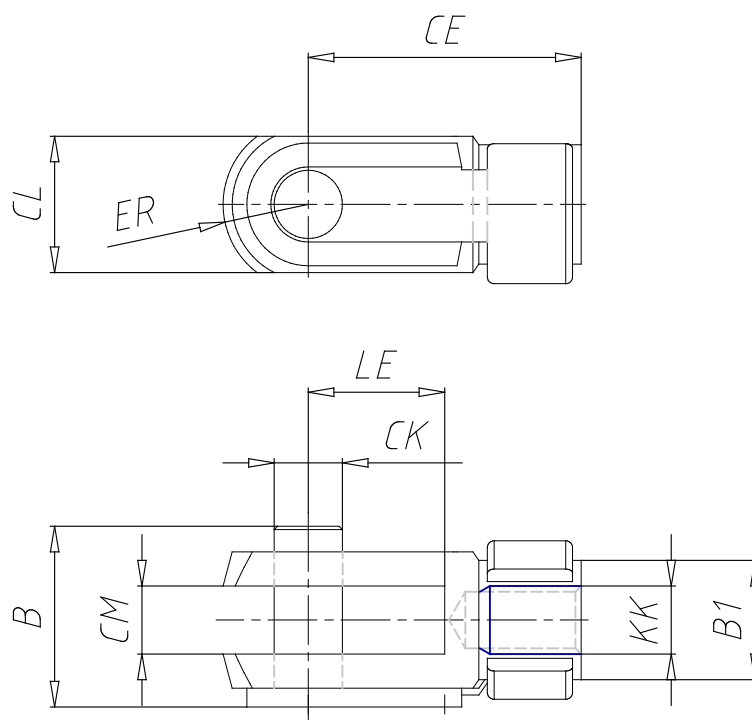


TECHNICAL DATA

Mod.	G-41-125
------	----------

Rod Fork - Mod. G

Product code: G-41-125



DIMENSIONS

Ø CK (mm)	30
LE (mm)	55
CM (mm)	30
CL (mm)	55
ER (mm)	38
CE (mm)	110
KK	M27x2
B (mm)	74
Ø B1 (mm)	48