

Rod Fork - Mod. G

Product code: G-8-10(16-24-25)

Datasheet creation date: 07/03/2025 15:55

Check the most updated document online [click here](#)

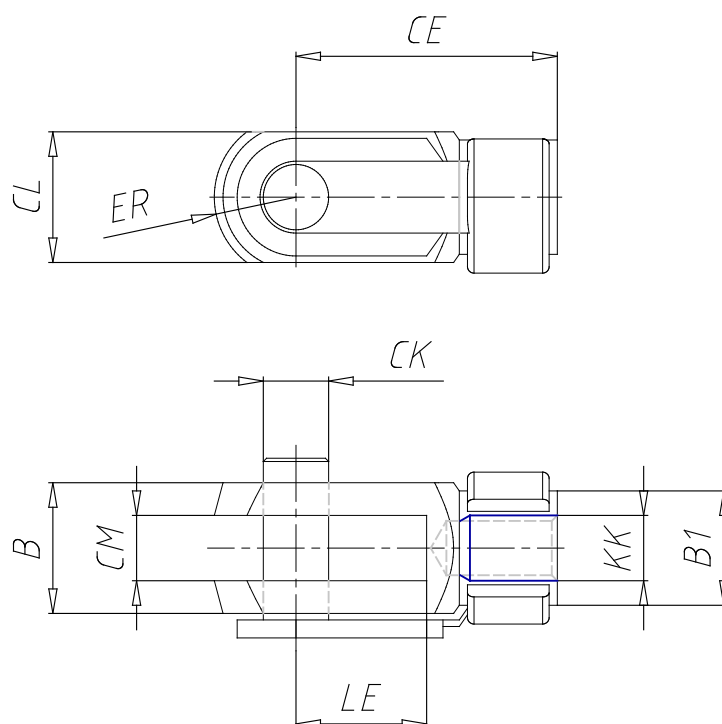


TECHNICAL DATA

Model	G-8-10
-------	--------

Rod Fork - Mod. G

Product code: G-8-10(16-24-25)



DIMENSIONS

CK (mm)	4
LE (mm)	8
CM (mm)	4
CL (mm)	8
ER (mm)	5
CE (mm)	16
KK	M 4x0.7
B (mm)	11
B1 (mm)	8