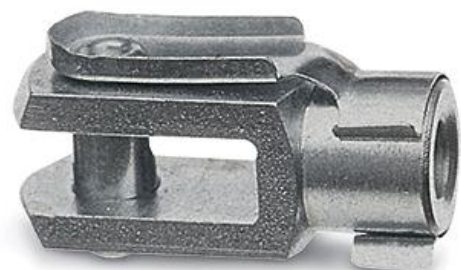


## Rod Fork - Mod. G

Product code: G-80-100

Datasheet creation date: 07/03/2025 16:02

Check the most updated document online [click here](#)

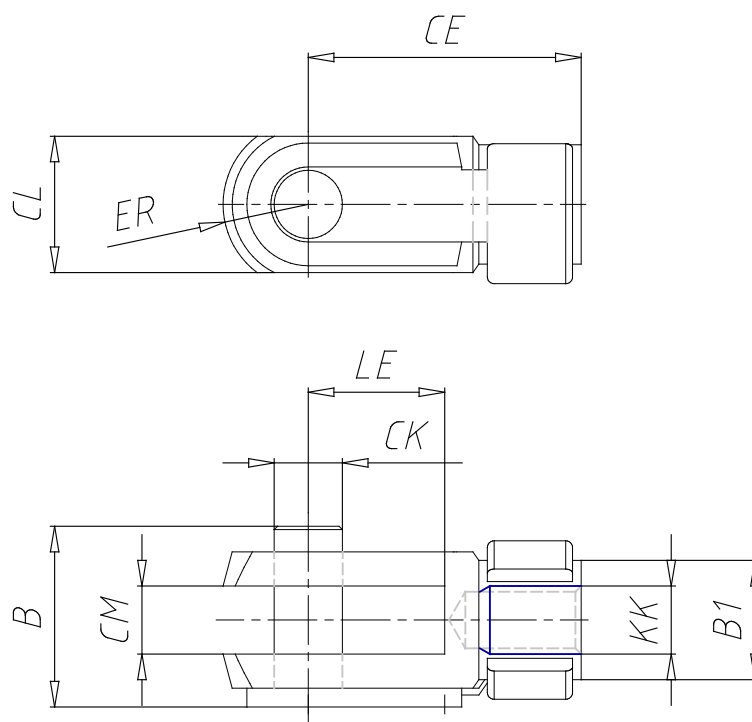


### TECHNICAL DATA

Mod.	G-80-100
------	----------

## Rod Fork - Mod. G

Product code: G-80-100



### DIMENSIONS

Ø CK (mm)	20
LE (mm)	40
CM (mm)	20
CL (mm)	40
ER (mm)	25
CE (mm)	80
KK	M20x1.5
B (mm)	48
Ø B1 (mm)	34