

- Straight Sub-D 25 pin female connector with axial cable

Product code: G3X-15

Datasheet creation date: 20/05/2026 08:38

Check the most updated document online [click here](#)

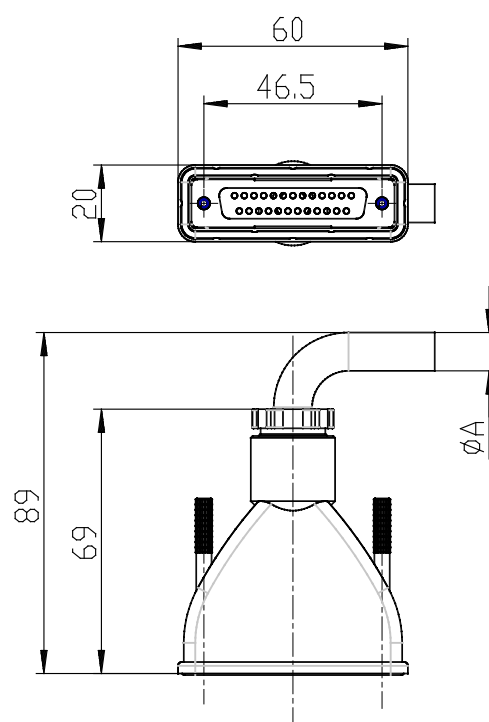


TECHNICAL DATA

Mod.	G3X-15
------	--------

- Straight Sub-D 25 pin female connector with axial cable

Product code: G3X-15



■ DIMENSIONS

A (mm)	7.7
Pin	15
Cable length [L] (m)	15