

- Straight Sub-D 25 pin female connector with axial cable

Product code: G3X-20

Datasheet creation date: 20/05/2026 06:50

Check the most updated document online [click here](#)

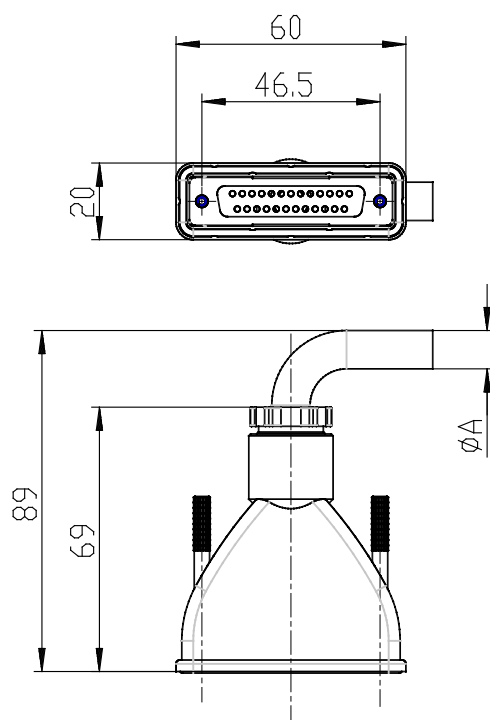


■ TECHNICAL DATA

Mod.	G3X-20
------	--------

- Straight Sub-D 25 pin female connector with axial cable

Product code: G3X-20



■ DIMENSIONS

A (mm)	7.7
Pin	15
Cable length [L] (m)	20