

## - Straight Sub-D 25 pin female connector with axial cable

Product code: G3X-3

Datasheet creation date: 20/05/2026 06:52

Check the most updated document online [click here](#)

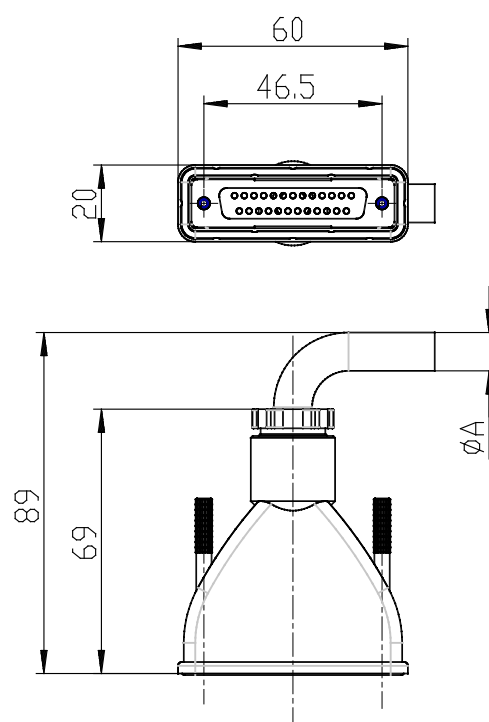


### ■ TECHNICAL DATA

Mod.	G3X-3
------	-------

## - Straight Sub-D 25 pin female connector with axial cable

Product code: G3X-3



### ■ DIMENSIONS

<b>A (mm)</b>	7.7
<b>Pin</b>	15
<b>Cable length [ L ] (m)</b>	3