

- Right angle Sub-D 25 pin female connector with axial cable

Product code: G3X1-10

Datasheet creation date: 20/05/2026 08:26

Check the most updated document online [click here](#)

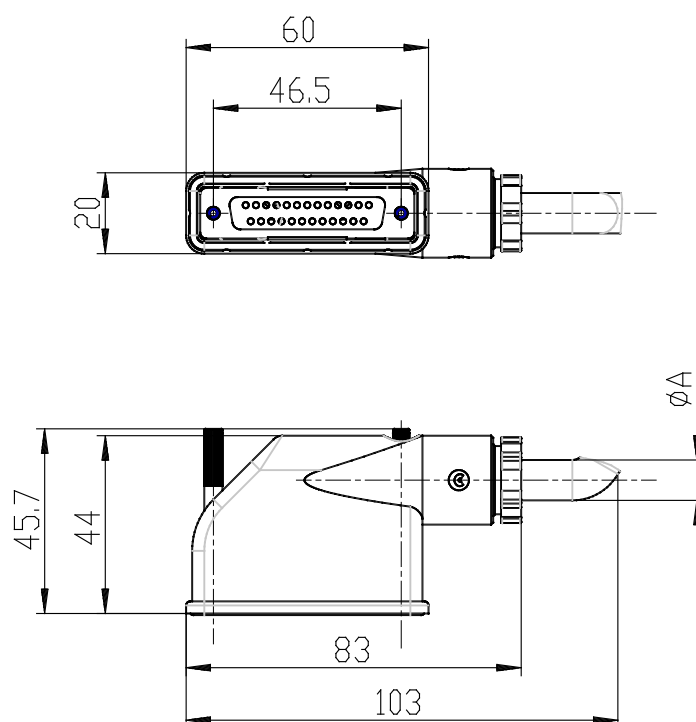


■ TECHNICAL DATA

Mod.	G3X1-10
------	---------

- Right angle Sub-D 25 pin female connector with axial cable

Product code: G3X1-10



■ DIMENSIONS

A (mm)	8
Pin	15
Cable length [L] (mm)	10