

## - Right angle Sub-D 25 pin female connector with axial cable

Product code: G3X1-3

Datasheet creation date: 20/05/2026 06:51

Check the most updated document online [click here](#)

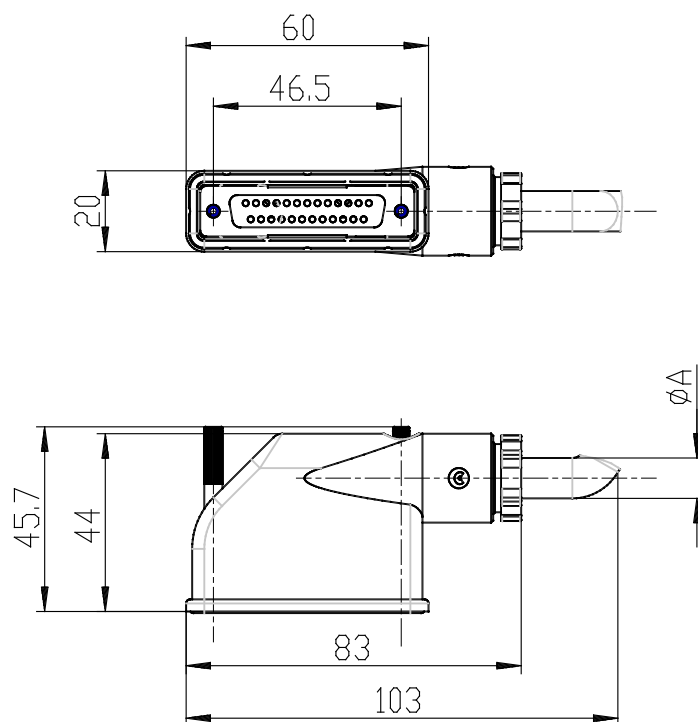


### ■ TECHNICAL DATA

Mod.	G3X1-3
------	--------

## - Right angle Sub-D 25 pin female connector with axial cable

Product code: G3X1-3



### ■ DIMENSIONS

<b>A (mm)</b>	8
<b>Pin</b>	15
<b>Cable length [ L ] (mm)</b>	3