

Mod. G6590 - Fittings Series 7000 - Automation

Product code: G6590 10

Datasheet creation date: 20/05/2026 09:25

Check the most updated document online [click here](#)

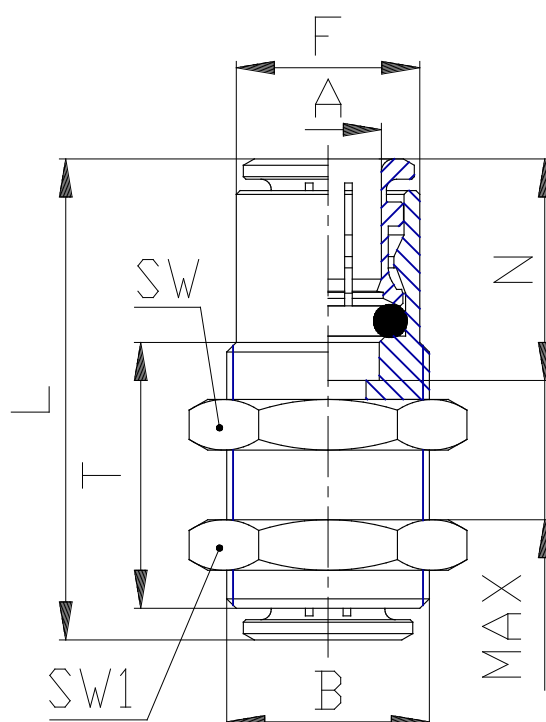


■ TECHNICAL DATA

| | |
|------|----------|
| Mod. | G6590 10 |
|------|----------|

Mod. G6590 - Fittings Series 7000 - Automation

Product code: G6590 10



DIMENSIONS

| | |
|-------------------|-------|
| A (mm) | 10 |
| B | M18x1 |
| F (mm) | 15.9 |
| L (mm) | 39.5 |
| N (mm) | 19.0 |
| MAX (mm) | 11.5 |
| SW (mm) | 22 |
| SW1 (mm) | 22 |
| T (mm) | 24 |
| Weight (g) | 47.5 |