

Mod. G6590 - Fittings Series 7000 - Automation

Product code: G6590 12

Datasheet creation date: 20/05/2026 09:25

Check the most updated document online [click here](#)

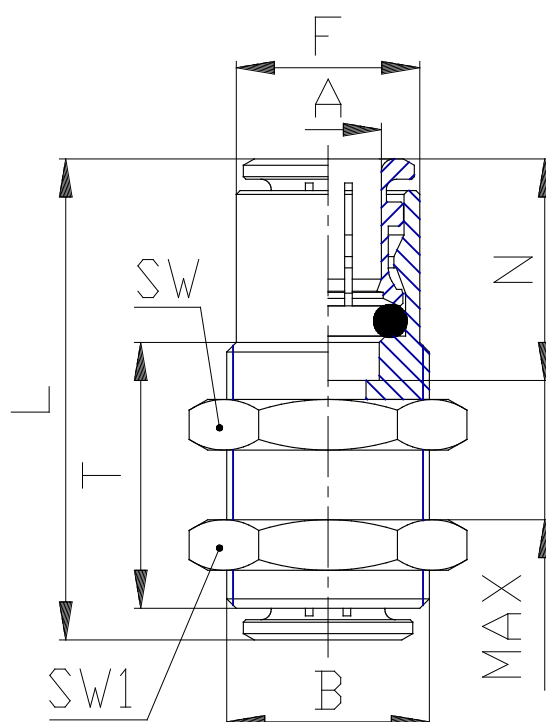


■ TECHNICAL DATA

Mod.	G6590 12
------	----------

Mod. G6590 - Fittings Series 7000 - Automation

Product code: G6590 12



DIMENSIONS

A (mm)	12
B	M22x1
F (mm)	20.5
L (mm)	43.5
N (mm)	21.2
MAX (mm)	14.0
SW (mm)	27
SW1 (mm)	27
T (mm)	28
Weight (g)	80.5