

Mod. G6590 - Fittings Series 7000 - Automation

Product code: G6590 4

Datasheet creation date: 19/05/2026 20:42

Check the most updated document online [click here](#)

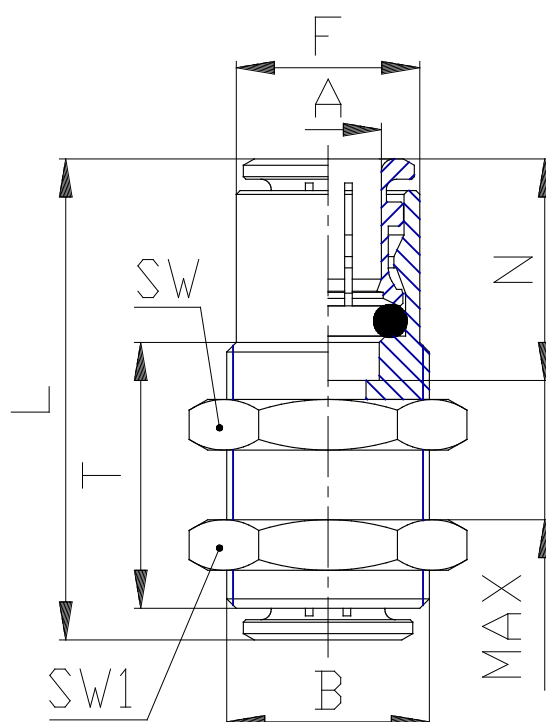


■ TECHNICAL DATA

Mod.	G6590 4
------	---------

Mod. G6590 - Fittings Series 7000 - Automation

Product code: G6590 4



DIMENSIONS

A (mm)	4
B	M10x1
F (mm)	8.8
L (mm)	31.0
N (mm)	14.6
MAX (mm)	10.5
SW (mm)	14
SW1 (mm)	14
T (mm)	20
Weight (g)	9.5