

Mod. G6750 - Fittings Series 7000 - Automation

Product code: G6750 10

Datasheet creation date: 20/05/2026 09:25

Check the most updated document online [click here](#)

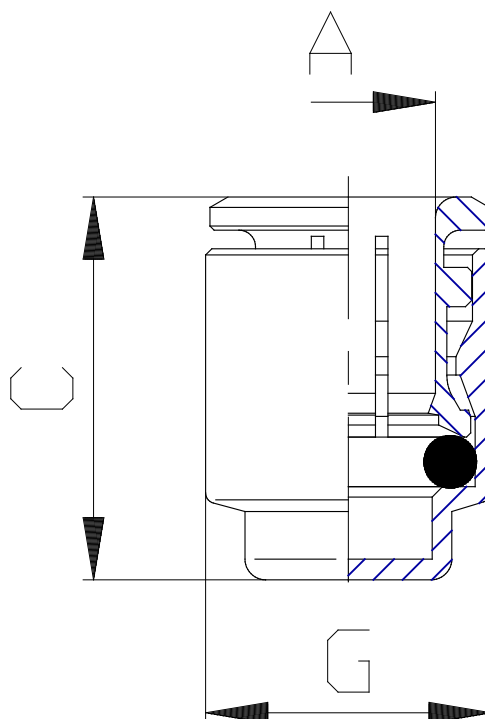


■ TECHNICAL DATA

Mod.	G6750 10
------	----------

Mod. G6750 - Fittings Series 7000 - Automation

Product code: G6750 10



DIMENSIONS

A (mm)	10
G (mm)	16.0
L (mm)	21.0
Weight (g)	11