

## Mod. G6750 - Fittings Series 7000 - Automation

Product code: G6750 4

Datasheet creation date: 10/03/2025 10:26

Check the most updated document online [click here](#)

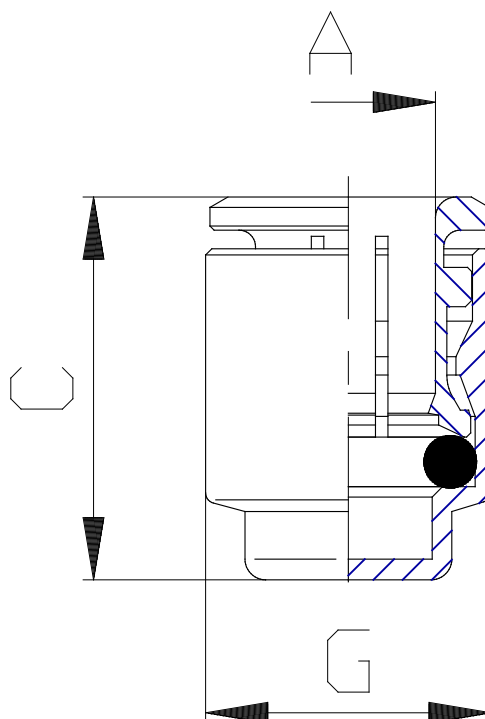


### ■ TECHNICAL DATA

Mod.	G6750 4
------	---------

## Mod. G6750 - Fittings Series 7000 - Automation

Product code: G6750 4



### **DIMENSIONS**

<b>A (mm)</b>	4
<b>G (mm)</b>	8.8
<b>L (mm)</b>	15.6
<b>Weight (g)</b>	2.5