

Mod. G6750 - Fittings Series 7000 - Automation

Product code: G6750 6

Datasheet creation date: 10/03/2025 10:26

Check the most updated document online [click here](#)

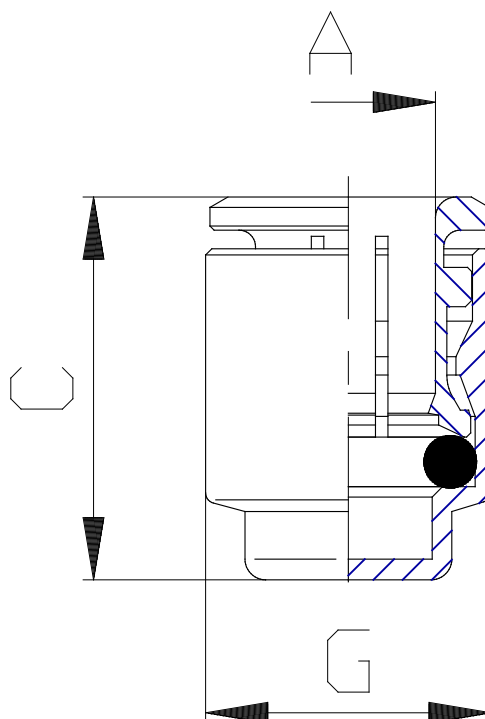


■ TECHNICAL DATA

Mod.	G6750 6
------	---------

Mod. G6750 - Fittings Series 7000 - Automation

Product code: G6750 6



DIMENSIONS

A (mm)	6
G (mm)	11.8
L (mm)	16.5
Weight (g)	4.5