

Mod. G6750 - Fittings Series 7000 - Automation

Product code: G6750 8

Datasheet creation date: 10/03/2025 10:26

Check the most updated document online [click here](#)

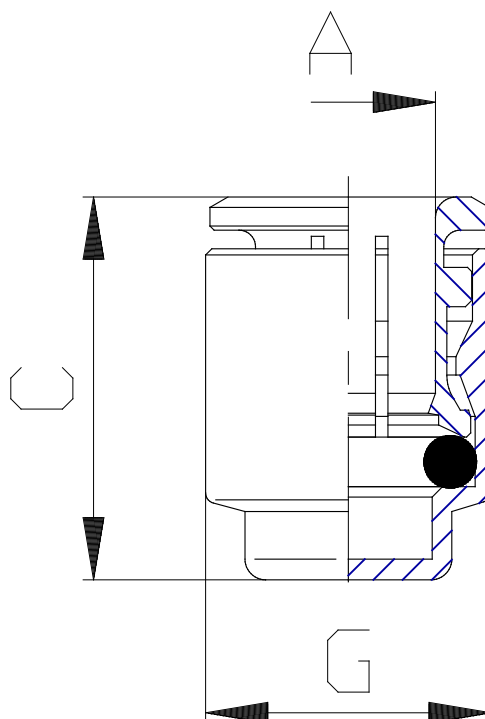


■ TECHNICAL DATA

| | |
|------|---------|
| Mod. | G6750 8 |
|------|---------|

Mod. G6750 - Fittings Series 7000 - Automation

Product code: G6750 8



DIMENSIONS

| | |
|-------------------|------|
| A (mm) | 8 |
| G (mm) | 13.8 |
| L (mm) | 18.3 |
| Weight (g) | 5.5 |