

Mod. G7445 - Fittings Series 7000 - Automation

Product code: G7445 6-6

Datasheet creation date: 10/03/2025 09:12

Check the most updated document online [click here](#)

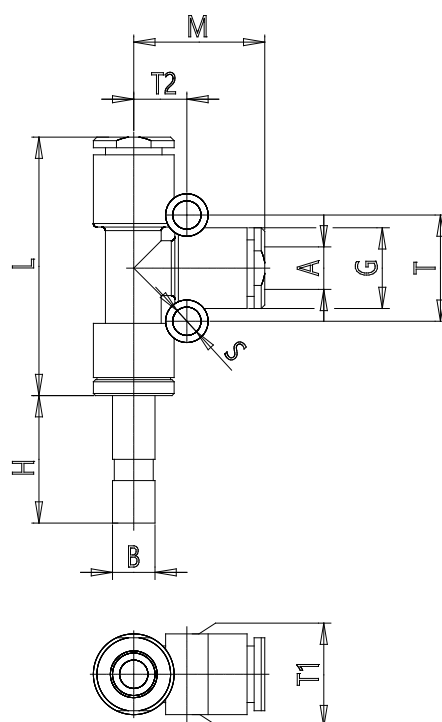


■ TECHNICAL DATA

| | |
|------|-----------|
| Mod. | G7445 6-6 |
|------|-----------|

Mod. G7445 - Fittings Series 7000 - Automation

Product code: G7445 6-6



DIMENSIONS

| | |
|-------------------|------|
| A (mm) | 6 |
| B (mm) | 6 |
| G (mm) | 11.4 |
| H (mm) | 18.0 |
| L (mm) | 37 |
| S (mm) | 4 |
| T (mm) | 15 |
| T1 (mm) | 11.4 |
| T2 (mm) | 7.5 |
| Weight (g) | 15 |