

Mod. G7445 - Fittings Series 7000 - Automation

Product code: G7445 8-8

Datasheet creation date: 10/03/2025 09:12

Check the most updated document online [click here](#)

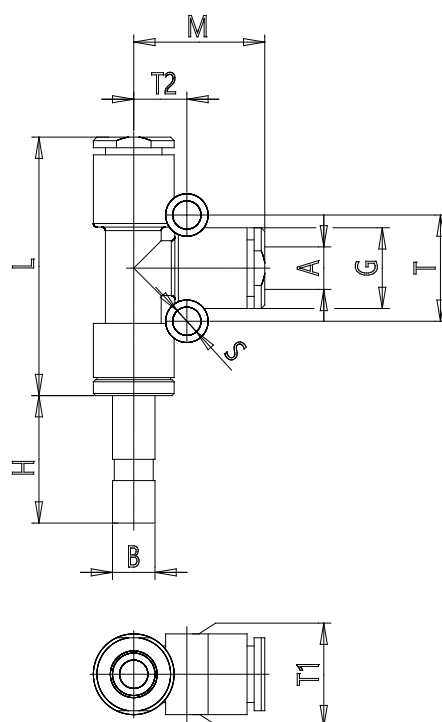


TECHNICAL DATA

Mod.	G7445 8-8
------	-----------

Mod. G7445 - Fittings Series 7000 - Automation

Product code: G7445 8-8



DIMENSIONS

A (mm)	8
B (mm)	8
G (mm)	13.7
H (mm)	20.5
L (mm)	42
S (mm)	4
T (mm)	17
T1 (mm)	13.7
T2 (mm)	8.5
Weight (g)	23