

## Mod. G7450 - Fittings Series 7000 - Automation

Product code: G7450 10-3/8

Datasheet creation date: 20/05/2026 08:18

Check the most updated document online [click here](#)

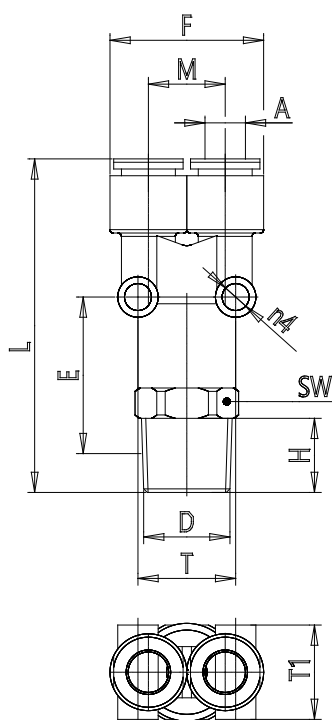


### ■ TECHNICAL DATA

Mod.	G7450 10-3/8
------	--------------

## Mod. G7450 - Fittings Series 7000 - Automation

Product code: G7450 10-3/8



### DIMENSIONS

<b>A (mm)</b>	10
<b>D</b>	R3/8
<b>E (mm)</b>	22.0
<b>F (mm)</b>	33.0
<b>H (mm)</b>	11.5
<b>L (mm)</b>	61.5
<b>M (mm)</b>	16.3
<b>S (mm)</b>	4
<b>T (mm)</b>	16.3
<b>T1 (mm)</b>	16.0
<b>SW (mm)</b>	19
<b>Weight (g)</b>	44