

Mod. G7450 - Fittings Series 7000 - Automation

Product code: G7450 6-1/4

Datasheet creation date: 10/03/2025 09:12

Check the most updated document online [click here](#)

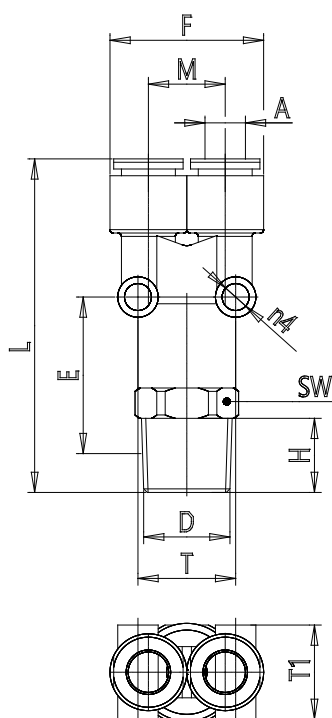


TECHNICAL DATA

Mod.	G7450 6-1/4
------	-------------

Mod. G7450 - Fittings Series 7000 - Automation

Product code: G7450 6-1/4



DIMENSIONS

A (mm)	6
D	R1/4
E (mm)	23.0
F (mm)	23.0
H (mm)	11.0
L (mm)	49.5
M (mm)	11.4
S (mm)	4
T (mm)	14.5
T1 (mm)	14.0
SW (mm)	14
Weight (g)	18