

## Mod. G7450 - Fittings Series 7000 - Automation

Product code: G7450 8-1/8

Datasheet creation date: 10/03/2025 09:12

Check the most updated document online [click here](#)

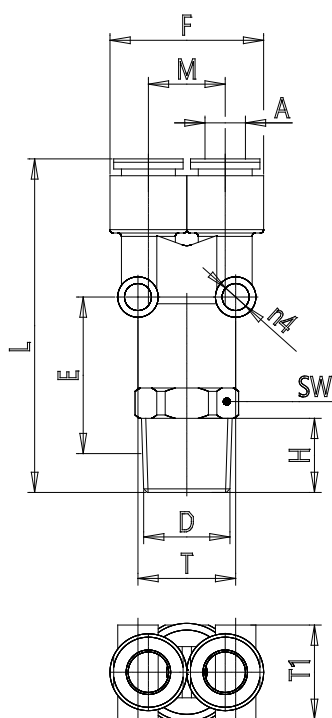


### TECHNICAL DATA

Mod.	G7450 8-1/8
------	-------------

## Mod. G7450 - Fittings Series 7000 - Automation

Product code: G7450 8-1/8



### DIMENSIONS

<b>A (mm)</b>	8
<b>D</b>	R1/8
<b>E (mm)</b>	22.3
<b>F (mm)</b>	26.0
<b>H (mm)</b>	7.5
<b>L (mm)</b>	51.3
<b>M (mm)</b>	12.7
<b>S (mm)</b>	4
<b>T (mm)</b>	16.5
<b>T1 (mm)</b>	15.5
<b>SW (mm)</b>	17
<b>Weight (g)</b>	23