

## Mod. G7520 - Fittings Series 7000 - Automation

Product code: G7520 16-3/4

Datasheet creation date: 20/05/2026 08:19

Check the most updated document online [click here](#)

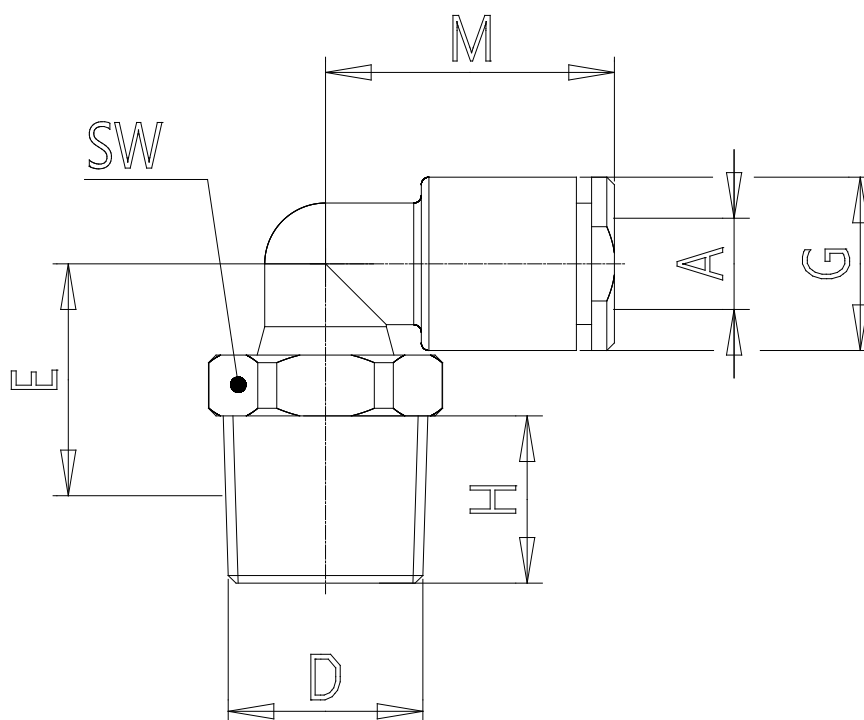


### ■ TECHNICAL DATA

Mod.	G7520 16-3/4
------	--------------

## Mod. G7520 - Fittings Series 7000 - Automation

Product code: G7520 16-3/4



### DIMENSIONS

<b>A (mm)</b>	16
<b>D</b>	R3/4
<b>E (mm)</b>	43.5
<b>G (mm)</b>	27.0
<b>H (mm)</b>	16.5
<b>M (mm)</b>	38.0
<b>SW (mm)</b>	27
<b>Weight (g)</b>	74.0