

Mod. G7520 - Fittings Series 7000 - Automation

Product code: G7520 8-1/4

Datasheet creation date: 10/03/2025 09:13

Check the most updated document online [click here](#)

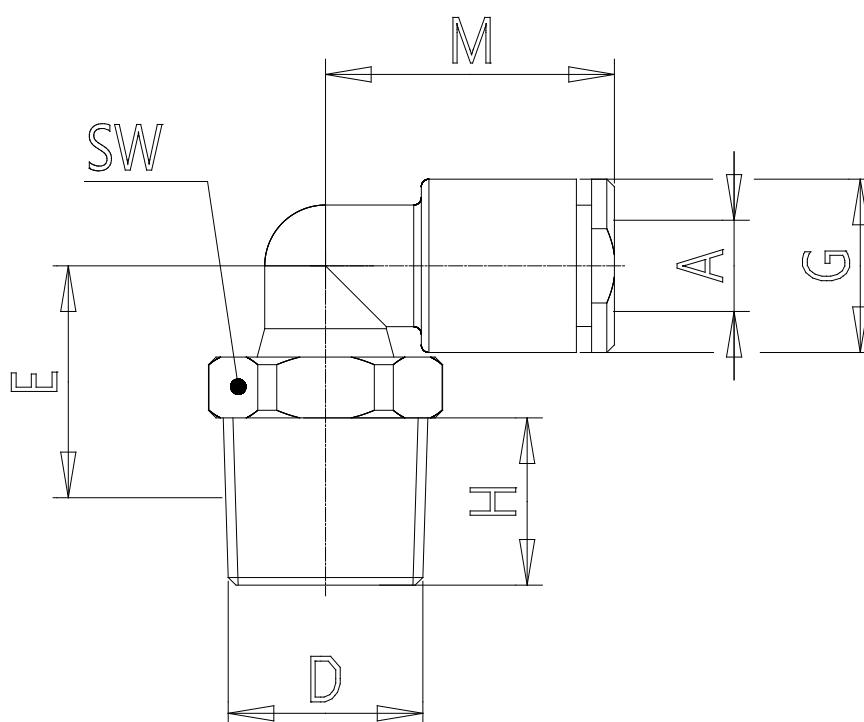


■ TECHNICAL DATA

| | |
|------|-------------|
| Mod. | G7520 8-1/4 |
|------|-------------|

Mod. G7520 - Fittings Series 7000 - Automation

Product code: G7520 8-1/4



DIMENSIONS

| | |
|-------------------|------|
| A (mm) | 8 |
| D | R1/4 |
| E (mm) | 14.2 |
| G (mm) | 13.7 |
| H (mm) | 11.0 |
| M (mm) | 21.5 |
| SW (mm) | 14 |
| Weight (g) | 13 |