

Mod. G7520 - Fittings Series 7000 - Automation

Product code: G7520 8-1/8

Datasheet creation date: 10/03/2025 09:13

Check the most updated document online [click here](#)

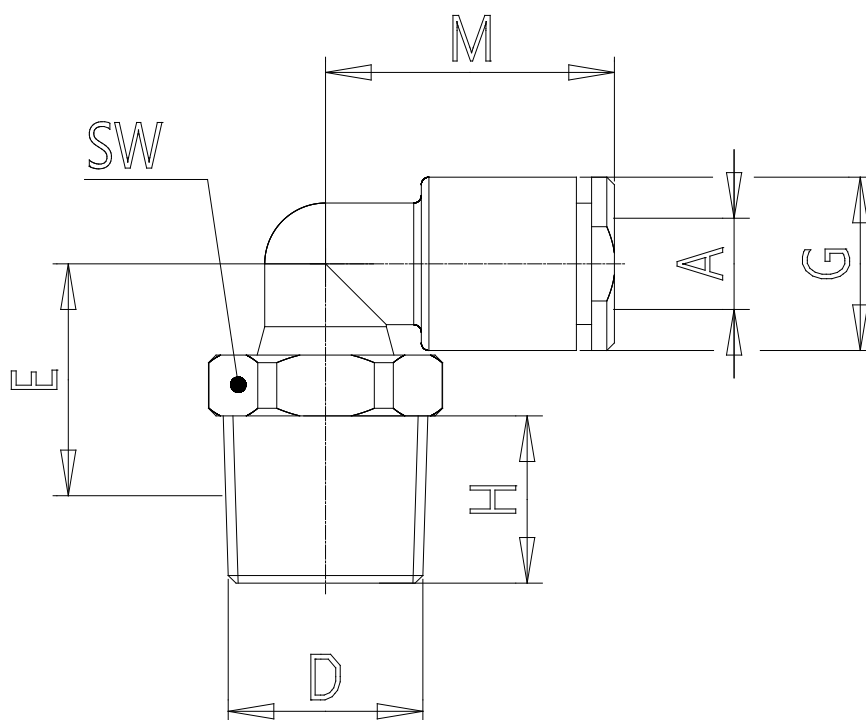


■ TECHNICAL DATA

Mod.	G7520 8-1/8
------	-------------

Mod. G7520 - Fittings Series 7000 - Automation

Product code: G7520 8-1/8



DIMENSIONS

A (mm)	8
D	R1/8
E (mm)	13.6
G (mm)	13.7
H (mm)	7.5
M (mm)	21.5
SW (mm)	12
Weight (g)	11