

## Mod. G7522 - Fittings Series 7000 - Automation

Product code: G7522 10-1/2

Datasheet creation date: 20/05/2026 08:20

Check the most updated document online [click here](#)

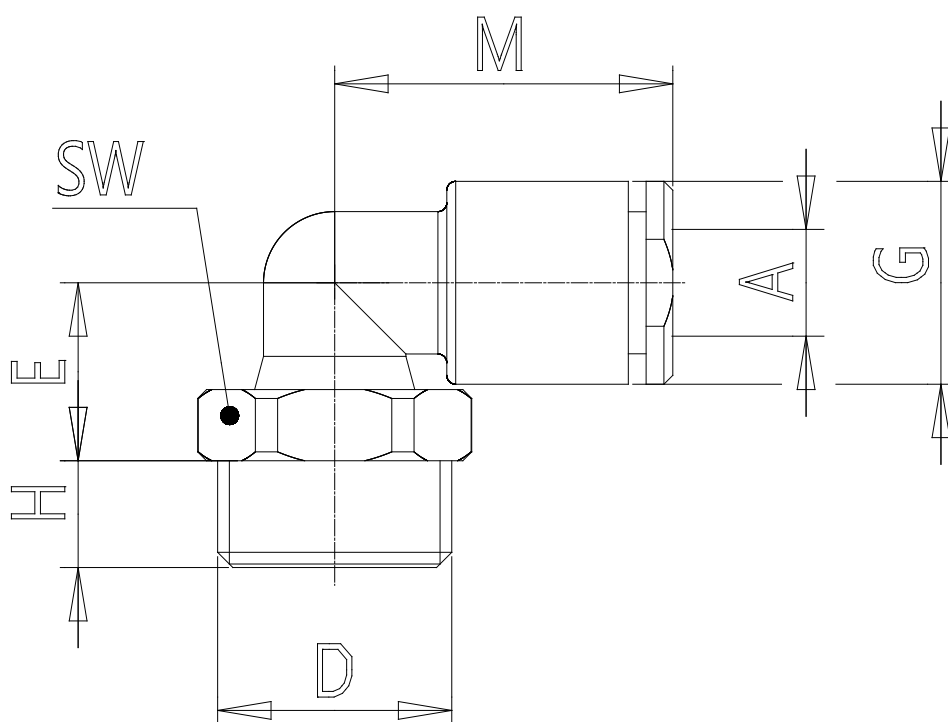


### ■ TECHNICAL DATA

Mod.	G7522 10-1/2
------	--------------

## Mod. G7522 - Fittings Series 7000 - Automation

Product code: G7522 10-1/2



### DIMENSIONS

<b>A (mm)</b>	10
<b>D</b>	G1/2
<b>E (mm)</b>	13.5
<b>G (mm)</b>	16.3
<b>H (mm)</b>	8.0
<b>M (mm)</b>	25.0
<b>SW (mm)</b>	24
<b>Weight (g)</b>	33