

## Mod. G7522 - Fittings Series 7000 - Automation

Product code: G7522 4-M7

Datasheet creation date: 10/03/2025 09:13

Check the most updated document online [click here](#)

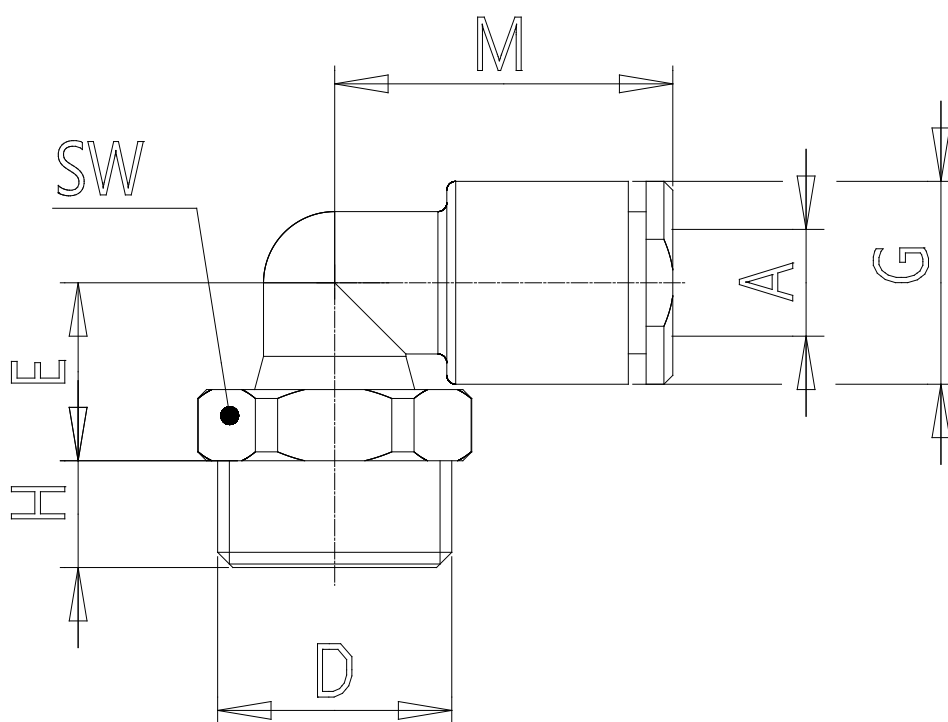


### ■ TECHNICAL DATA

Mod.	G7522 4-M7
------	------------

## Mod. G7522 - Fittings Series 7000 - Automation

Product code: G7522 4-M7



### DIMENSIONS

<b>A (mm)</b>	4
<b>D</b>	M7
<b>E (mm)</b>	11.0
<b>G (mm)</b>	9.2
<b>H (mm)</b>	5.0
<b>M (mm)</b>	17.0
<b>SW (mm)</b>	10
<b>Weight (g)</b>	6